

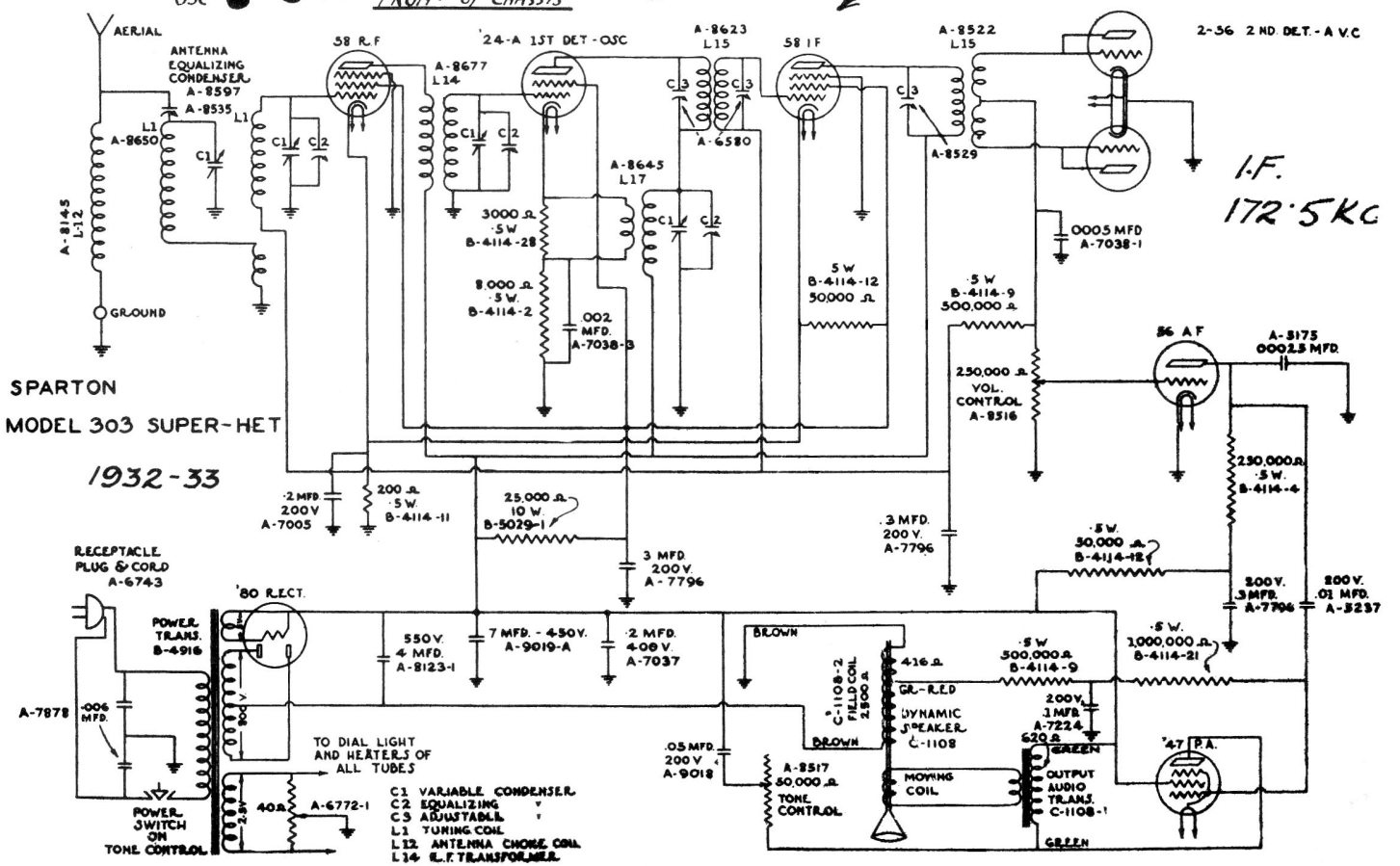
MODEL 202 SUPER-  
1932-33

TUBE POSITION	PLATE V	GRID V	SCREEN V	PLATE MGR.
35	230-70	2-4	85-100	5-8
"	1 DET.	4-7-7.5	"	1-8-3.5
27	OSC.	85-110	"	"
"	2 DET.	100-135	8-14	4-7
47	PWR	220-260	15-18	230-270

LINE VOLTAGE 115 - VOLUME FULL ON.

58	RF+IF	218-242	2-4	95-105	5.5-7
24	D-OSC.	"	"	"	*7-8
56	D-ARC	"	"	"	"
"	I.A.F.	20-40	"	"	*5-7
47	PWR	205-225	18-20	218-242	20-24

MODEL 202. R.F. ● ● PWR I.A.F. ● ● PWR  
 RECT. 1 DET ● ● 2 DET DET. OSC. ● ● DOUBLE  
 OSC ● ● I.F. FRONT OF CHASSIS R.F. I.F. ● ● R DET.



SPARTON  
MODEL 303 SUPER-HET  
1932-33

I.F. 172.5 Kc.

- C1 VARIABLE CONDENSER.
- C2 EQUALIZING
- C3 ADJUSTABLE
- L1 TUNING COIL
- L12 ANTENNA CHoke COIL
- L14 I.F. TRANSFORMER