

C7-C8-C9 - 0.1 mfd

- C10 - 0.25 mfd.
- C11 - 0.1 mfd.
- C12 - 1.0 mfd.
- C13 - .001 mfd.
- C14 - 0.25 mfd.
- C15 - 1.0 mfd.
- C16 - 0.25 mfd.
- C17 - 0.1 mfd.
- C18 - 1 mfd.
- C19 - Triple 8
- C20 - 0.25 mfd.
- C21 - 0.1 mfd.

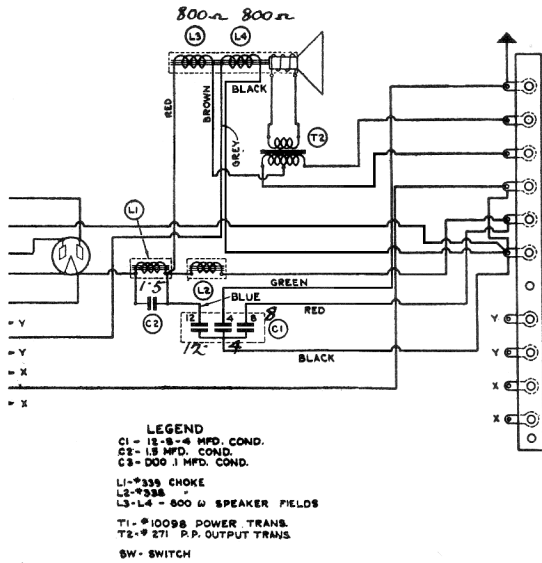
32 A POWER PACK

Schematic Diagram of 36 A Receiver and 32 A Power Pack

- R8-R9 - 100 ohms
- R10 - 375 ohms
- Rv - 3,000 ohms
- R11 - 3,500 ohms
- R12 - 4,000 ohms
- R13 - 10,000 ohms
- R14 - 20,000 ohms
- R15 - 10,000 ohms
- R1 - 25,000 ohms
- R2 - 500 ohms
- R3 - 750 ohms
- R4 - 2,000 ohms
- R5 - 25,000 ohms
- R6 - 300,000 ohms
- R7 - 400 ohms

POSITION OF TUBE	TYPE OF TUBE	A VOLTS	B VOLTS	C VOLTS (CONTROL GRID)	CATHODE-HEATER VOLTS	NORMAL PLATE M.A.	SCREEN GRID VOLTS
RF	224	2.27	162		7	4	85
1 DET	"	"	76		37.5	3	80
OSC.	227	"	82		37.5	11	—
1 INT	224	"	160		42.5	4	—
2 "	"	"	"		45	"	—
2 DET	"	"	245		7	"	—
P.P.	(2)245	2.4	255	42.5		28	—

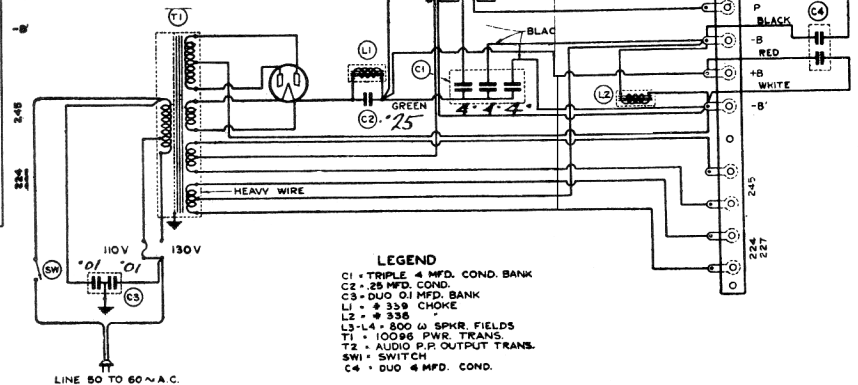
36A RECEIVER
32A POWER UNIT 1931



- LEGEND
- C1 - 15-15-4 MFD. COND.
 - C2 - 1.5 MFD. COND.
 - C3 - 0.001 MFD. COND.
 - L1 - #335 CHOKE
 - L2 - #335
 - L3-L4 - 800 Ω SPKR. FIELDS
 - T1 - #10098 POWER TRANS.
 - T2 - #271 P.P. OUTPUT TRANS.
 - SW - SWITCH

POWER TRANS. FOR BOTH UNITS ARE SIMILAR

POWER UNITS FOR 34A AND 35A CHASSIS (INTERCHANGEABLE)



- LEGEND
- C1 - TRIPLE 4 MFD. COND. BANK
 - C2 - 25 MFD. COND.
 - C3 - DUO 0.1 MFD. BANK
 - L1 - #335 CHOKE
 - L2 - #335
 - L3-L4 - 800 Ω SPKR. FIELDS
 - T1 - #10098 PWR. TRANS.
 - T2 - AUDIO P.P. OUTPUT TRANS.
 - SW1 - SWITCH
 - C4 - DUO 4 MFD. COND.

Schematic Diagram of 33-A Power Supply (25 cycle) for SILVER MARSHALL Radio

1930

Schematic Diagram of 33-A Power Supply (60 cycle) for SILVER MARSHALL Radio