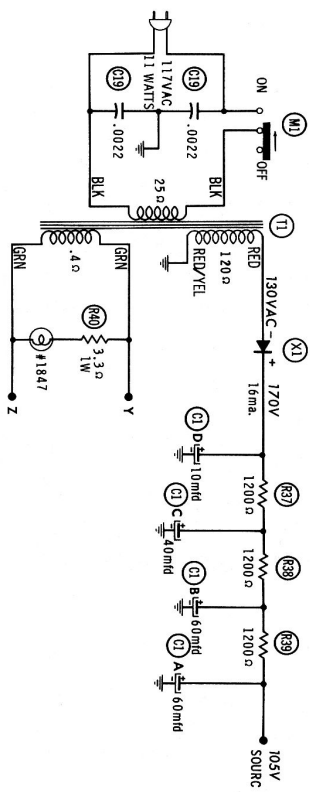
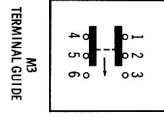
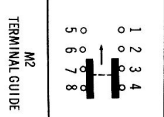
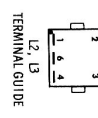


Sherwood S3MX Multiplex Adapter



Sherwood S3MX Alignment Procedure

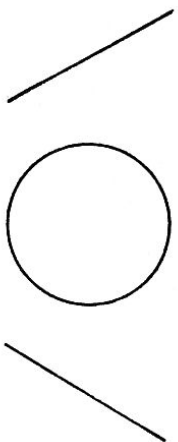
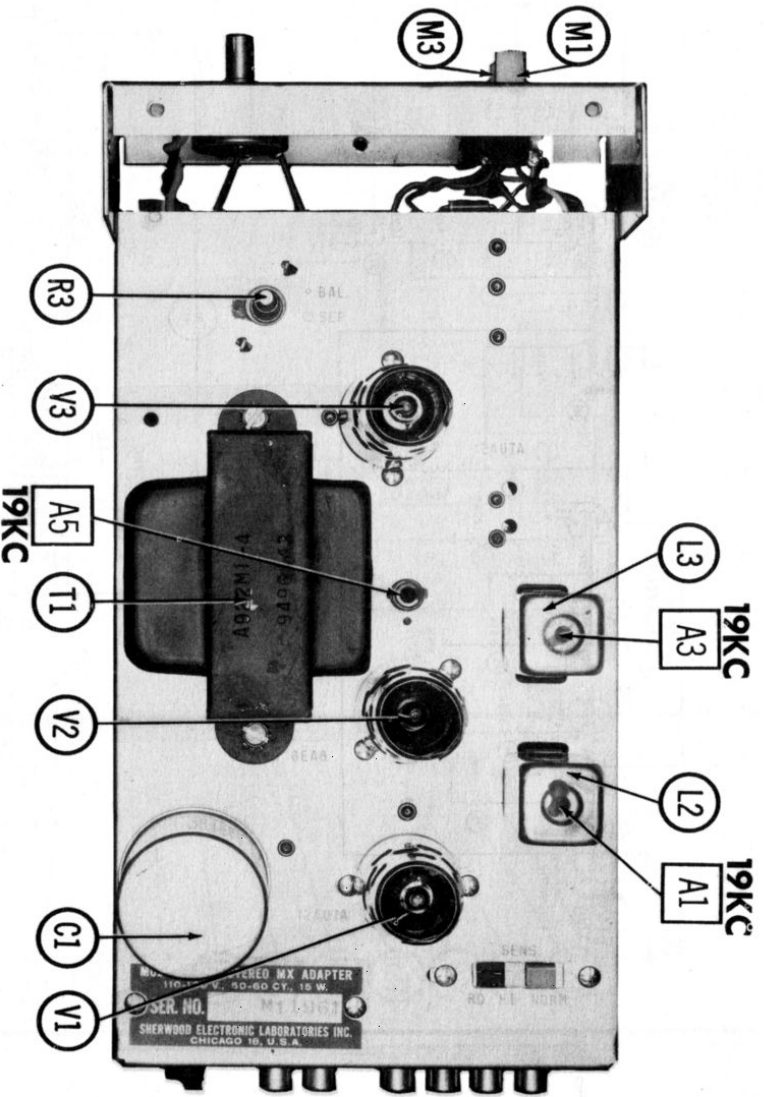


FIG. 1

SIGNAL GENERATOR	CONNECT SCOPE	ADJUST	REMARKS
1. 19KC into Multiplex input jack, low side to chassis.	Vert. amp. to point $\diamond A$, low side to chassis.	A1, A2	Adjust for maximum deflection. Set scope to lock in 2-cycle waveform.
2. "	Vert. amp. to point $\diamond B$, low side to chassis.	A3, A4	Adjust for maximum deflection of 4-cycle waveform.
3. "	"	A5	Adjust for MINIMUM deflection.
4. "	Vert. amp. to point $\diamond C$, Horiz. to point $\diamond D$, low sides to chassis.	R3	Adjust maximum clockwise & counterclockwise to produce diagonal responses shown in Fig. 1. Set at point producing round portion of pattern.