

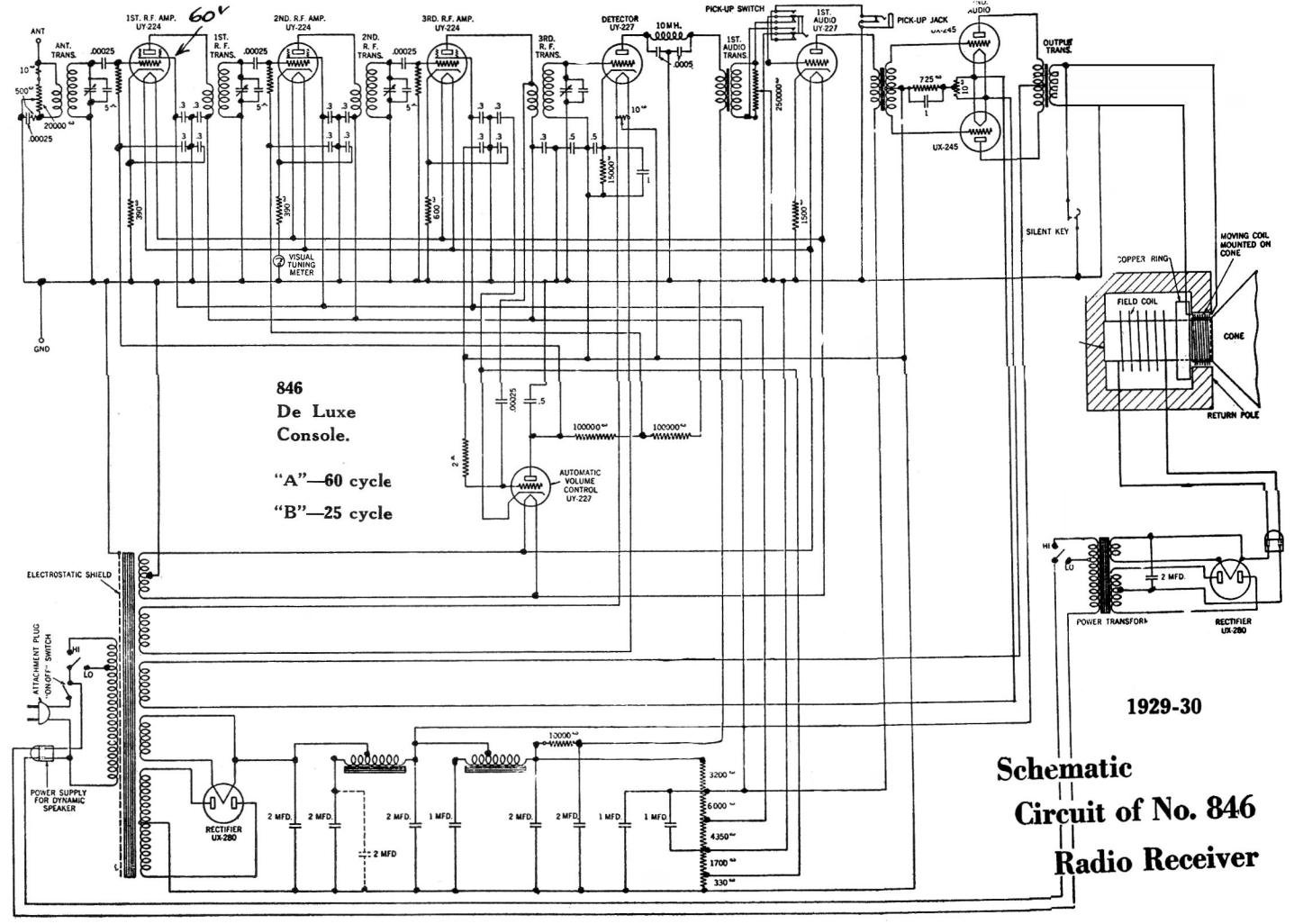
# Model 846 1929-30

R.F. 145<sup>v</sup> 2.2ma.

DET. 225<sup>v</sup> 2ma

120<sup>v</sup> 5.5ma

240<sup>v</sup> 30ma.



846  
De Luxe  
Console.  
"A"—60 cycle  
"B"—25 cycle

Schematic  
Circuit of No. 846  
Radio Receiver

# Mods. 19-20 1931-32 1F. 175kc

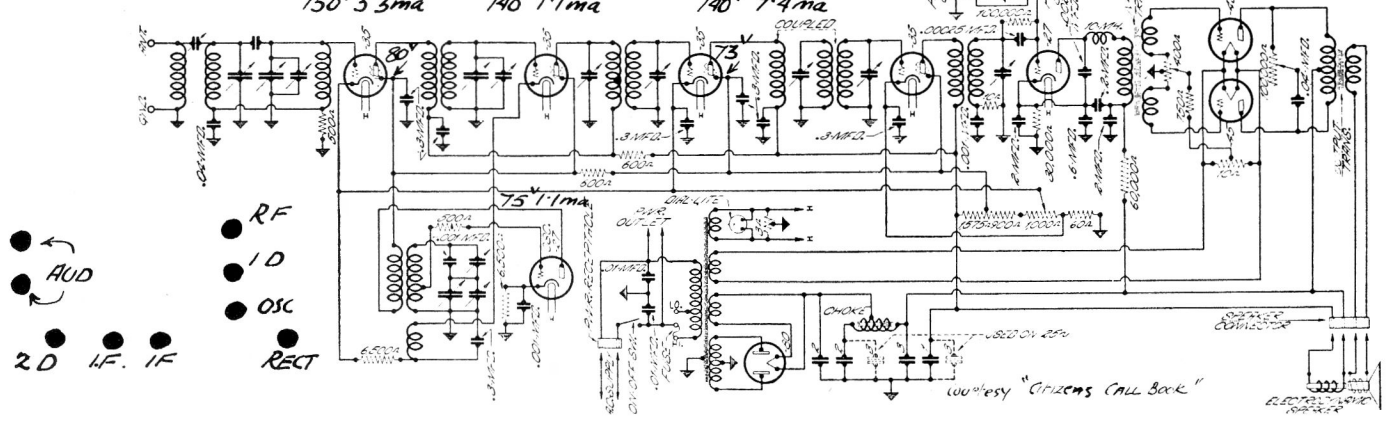
150<sup>v</sup> 3.3ma

140<sup>v</sup> 1.1ma

140<sup>v</sup> 7.4ma

185<sup>v</sup>  
1ma

245<sup>v</sup>  
30ma.



Printed in Canada

DATA SHEET

—Courtesy Stromberg-Carlson Telephone Mfg. Co. Limited

STROMBERG-CARLSON—5