

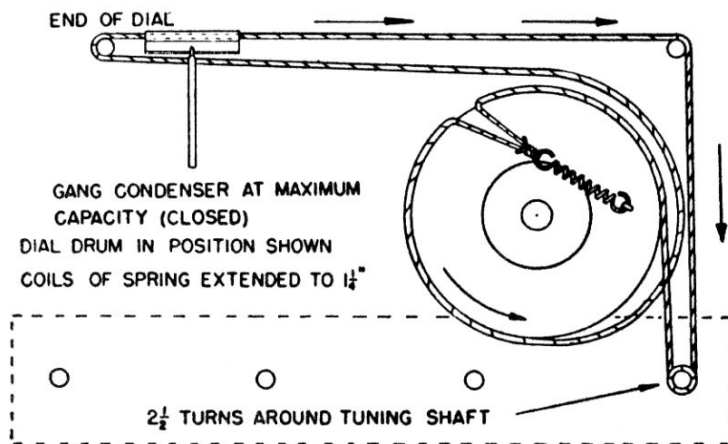
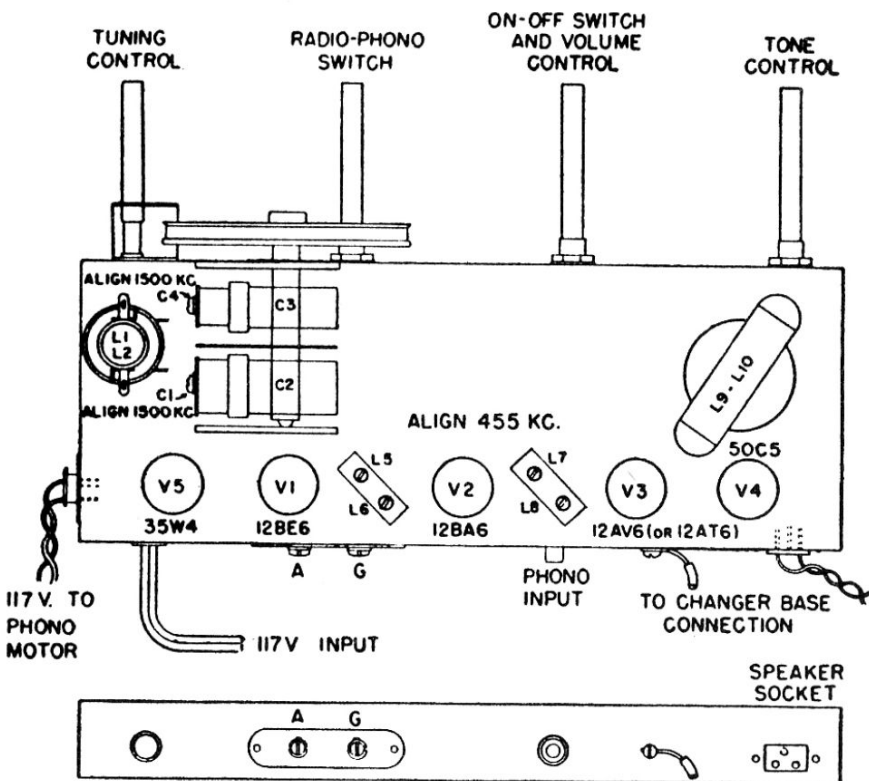
PLATE ANTENNA
 A L1
 B C1
 D L2
 E C2
 F L3
 G C3
 H C4
 I C5
 J C6
 K R2
 L R1
 M C7
 N C8
 O C9
 P C10
 Q R3
 R C11
 S C12
 T C13
 U C14
 V C15
 W R4
 X R5
 Y C16
 Z C17
 AA R6
 AB S2
 AC R7
 AD R8
 AE R9
 AF R10
 AG C21
 AH VOL
 AI C22
 AJ R11
 AK C23
 AL TONE
 AM R12
 AN R13
 AO R14
 AP C24
 AQ C25
 AR R15
 AS C26
 AT R16
 AU R17
 AV V5
 AW C30
 AX L10
 AY L5
 AZ L6
 BA L7
 BB L8
 BC V1
 BD V2
 BE V3
 BF V4
 BG S1
 BH P1
 BI C31
 BJ 5000
 BK WHITE
 BL BLACK
 BM SCREW CONNECTION
 BN ON CHASSIS

ROGERS MAJESTIC RM602 PHILIPS PH202 ALIGNMENT PROCEDURE CHART

Operation Steps	SIGNAL GENERATOR		RECEIVER		
	Connections to Receiver	Frequency	Tuning Capacitor	See Notes	Adjust in Stated Order for Maximum Output
1	To pin 1 of 12BA6 through .05 mf. capacitor	455 kc.	Min.		2nd I.F. Transformer L8, L7.
2	To stator of C1 through .05 mf. capacitor	455 kc.	"	A	1st I.F. Transformer L6, L5.
3	To antenna connection through 100 mmf. capacitor*	1500 kc.	1500 kc.		Oscillator Trimmer C4
4	To antenna connection through 100 mmf. capacitor*	1500 kc.	1500 kc.		Antenna Trimmer C1

*or a standard dummy antenna with a 200 mmf, capacitor in series.

Note A After completing operation No. 2, do not readjust L8 and L7.



1ST AND 2ND I.F.

