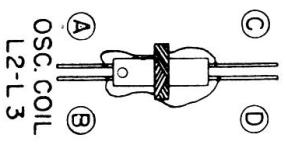


I.F. = 455 Kc.

\* MULTIPLE CAPACITOR-RESISTOR CONNECTIONS

\*\* NOTE C27, C28 APPROX. 10 μMF RESULT FROM CHASSIS-LEAD CAPACITY

**ROGERS MAJESTIC R847  
PHILIPS P447**



# ALIGNMENT CHART

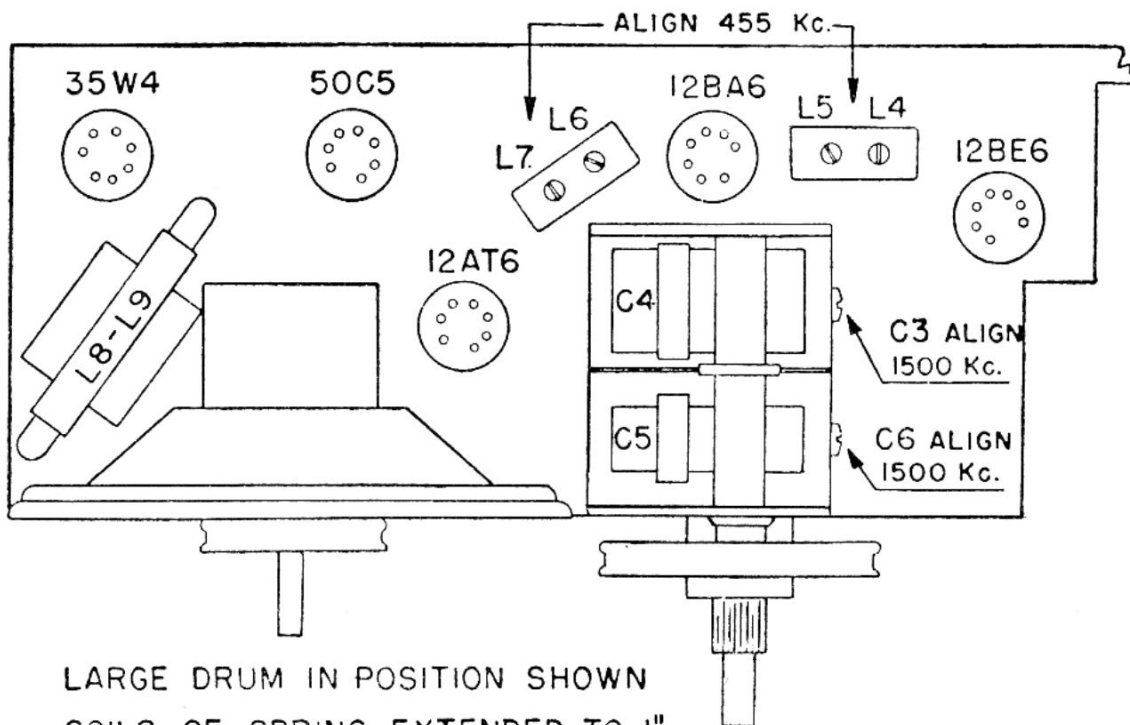
Operation Steps	SIGNAL GENERATOR		RECEIVER		
	Connections to Receiver	Frequency	Tuning Capacitor	See Notes	Adjust in Stated Order for Maximum Output
1	To pin 1 of 12BA6 through 0.05 mf capacitor	455 kc.	Minimum		2nd I.F. Transf. L7-L6
2	To pin 7 of 12BE6 through 0.05 mf capacitor	455 kc.	Minimum	A	1st I.F. Transf. L5-L4
3	To Blue Lead on Antenna Rod through 5 mmf capacitor*	1500 kc.	1500 kc.	B C	Oscillator Trimmer C6
4	To Blue Lead on Antenna Rod through 5 mmf capacitor*	1500 kc.	1500 kc.	C	Antenna Trimmer C3

NOTE A — After completing operation No. 2 do not readjust L7 - L6.

NOTE B — Replace the chassis in the cabinet to obtain the 1500 Kc. setting of the gang condenser.

NOTE C — Upon completion of operation 4, disconnect generator leads from receiver. A radiated signal of 1500 Kc. from generator may be used instead of the connection to antenna.

\* Generator Lead to be approximately 90° to Back Cover.



LARGE DRUM IN POSITION SHOWN  
 COILS OF SPRING EXTENDED TO 1"  
 POINTER AT LOW FREQUENCY END OF DIAL  
 LENGTH OF DIAL CORD APPROX 32"

