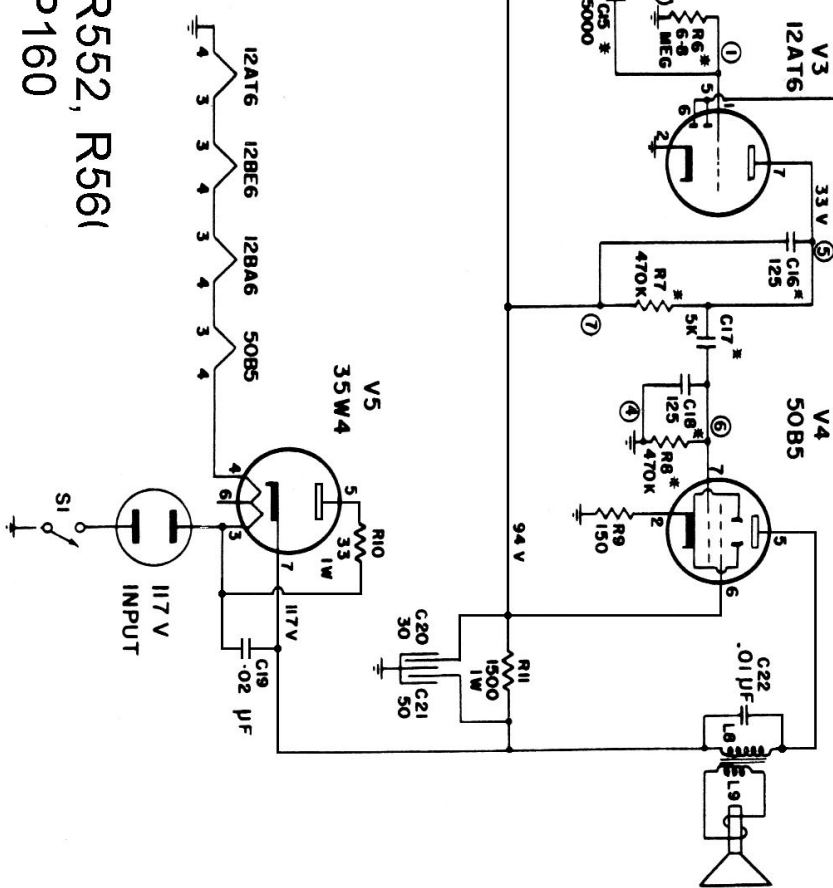


* MULTIPLE CAPACITOR-RESISTOR CONNECTIONS

ARROW ← ON VOLUME CONTROL INDICATES CLOCKWISE ROTATION OF SHAFT
 ALL RESISTANCE VALUES ARE INDICATED IN OHMS
 K = 1000, MEG = 1,000,000 OHMS
 CAPACITOR VALUES: $\text{---}||\text{---}$ SHOWN IN MICRO MICRO FARADS, EXCEPT WHERE NOTED.
 ALL DC VOLTAGES MEASURED WITH A 20000 OHMS PER VOLT METER NO SIGNAL APPLIED

ROGERS MAJESTIC R552, R561 PHILIPS P152, P160



ROGERS MAJESTIC R552, R560 PHILIPS P152, P160

ALIGNMENT CHART

Operation Steps	SIGNAL GENERATOR		RECEIVER		
	Connections to Receiver	Frequency	Tuning Capacitor	See Notes	Adjust in stated order for maximum output
1	"HOT" terminal on Ferroceptor Antenna, or stator plates of rear section of tuning gang, through .05 μ f capacitor.	455 kc.	Minimum	A	2nd. I. F. Transformer L 7-L 6. 1st I. F. Transformer L 5-L 4.
2	To radiated signal	1640 kc.	Minimum		Oscillator Trimmer C6
3	To radiated signal	1500 kc.	Tune in 1500 kc. radiated signal on receiver		Antenna Trimmer C 3

Note A - After completing operation No. 1 readjust L 7-L 6 for maximum output.

