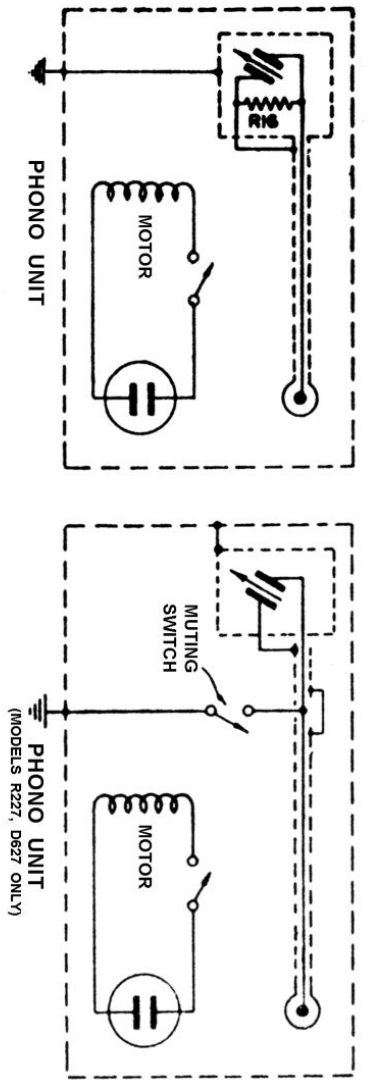
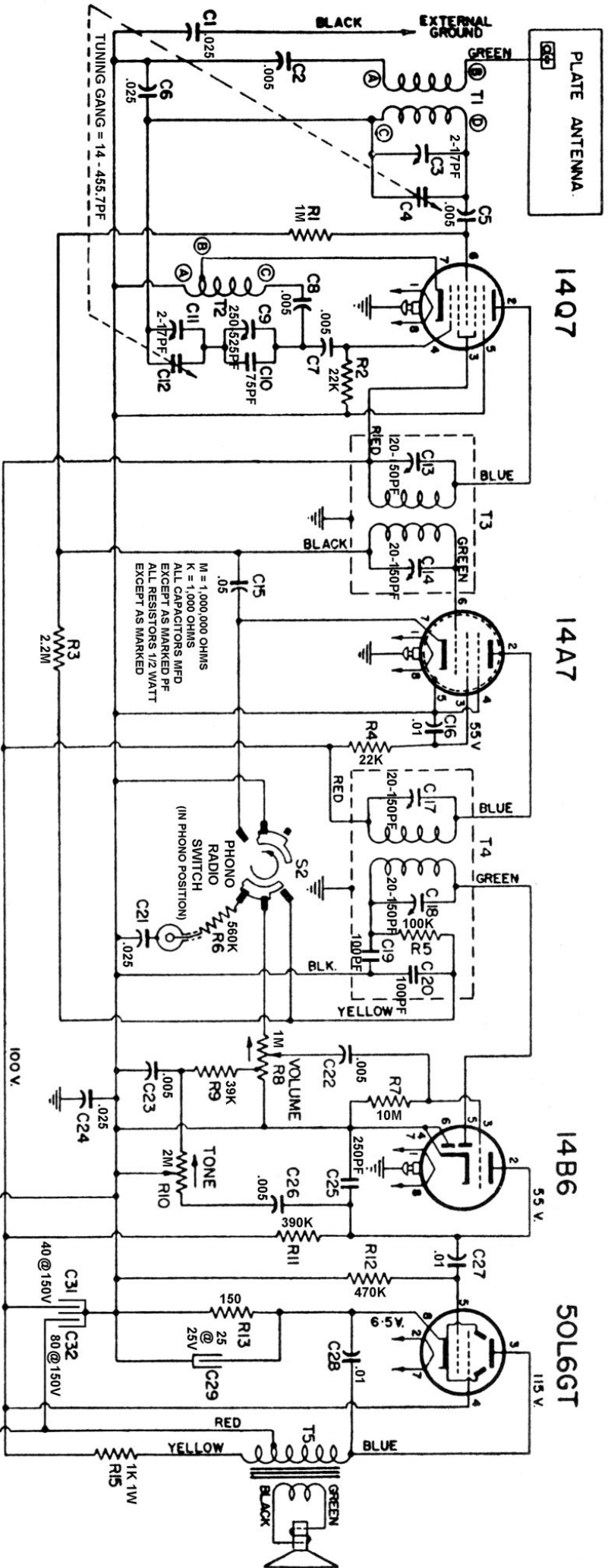


C	1	2	6	3	4	5	7, 8, 9, 10, 11, 12	13	14	15	16	17	18	19	20	21	22	23	24	25	26	30	27	31	32	28	29	
R			16			1					2																	



Rogers Majestic
De Forest
D547, D607, D617, D627

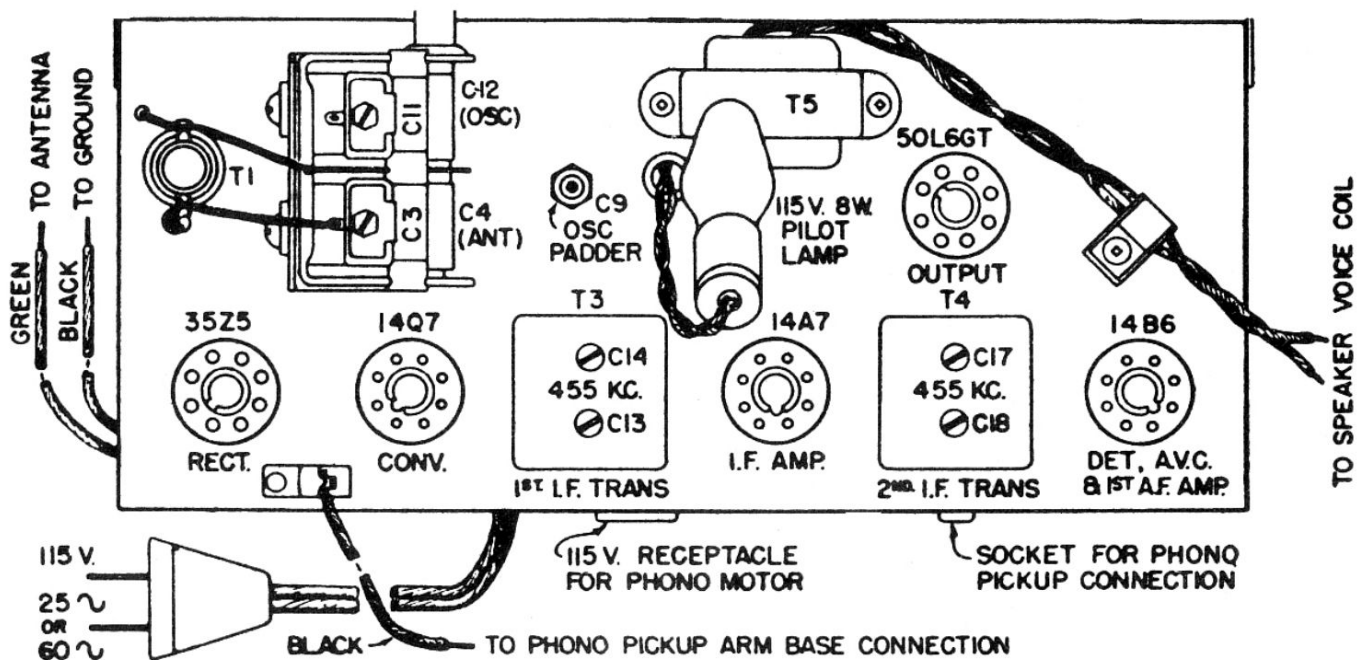
ALL GROUNDS SHOWN ON SCHEMATIC ARE TO CHASSIS BASE.
ALL VOLTAGES MEASURED TO B- WITH A 20,000 OHM/VOLT METER, S2 IN RADIO POSITION.
ARROW → INDICATES CLOCKWISE ROTATION OF POTENTIOMETERS AND SWITCHES.

ALIGNMENT PROCEDURE

SIGNAL GENERATOR			RECEIVER		
Operation Steps	Connections to Receiver	Frequency	Tuning Capacitor	See Notes	Adjust in Stated Order for Maximum Output
1	To 14A7 Control grid (6) through .05 mfd. capacitor	455 kc.	Min.		2nd I.F. Trimmers C18-C17
2	To Stator of C4 through .05 mfd. capacitor	455 kc.	Min.	A	1st I.F. Trimmers C14-C13
3	To Antenna Contact through 100 mmf. capacitor	1600 kc.	1600 kc		Oscillator Trimmer C11 Antenna Trimmer C3
4	To Antenna Contact through 100 mmf. capacitor	600 kc.	600 kc.	B	Oscillator Padder C9

NOTE A: After completing operation No. 2, carefully readjust C18-C17 for maximum output.

NOTE B: After completing operation No. 4, return to 1600 kc. and repeat operation 3, then repeat operation 4.



Rogers Majestic
R147, R207, R217, R227

De Forest
D547, D607, D617, D627