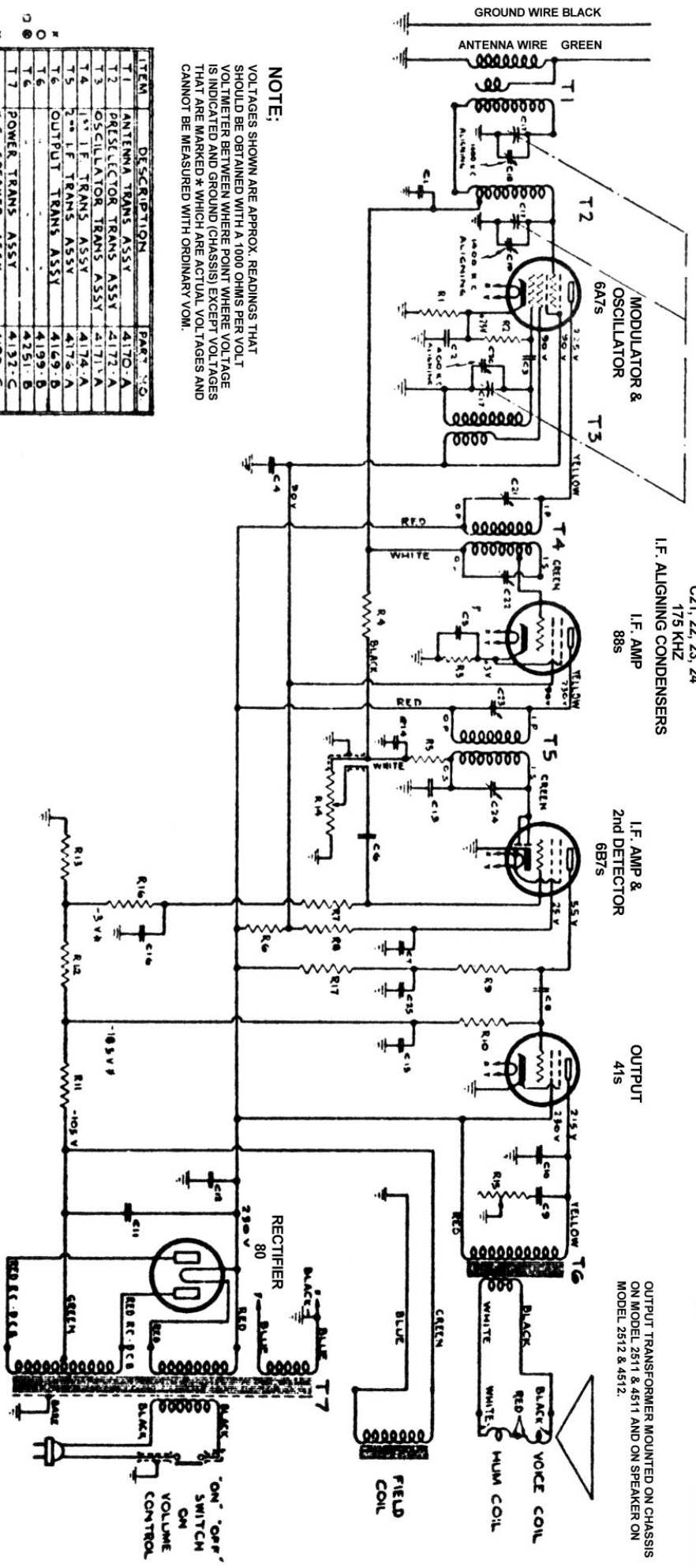


OUTPUT TRANSFORMER MOUNTED ON CHASSIS ON MODEL 2511 & 4511 AND ON SPEAKER ON MODEL 2512 & 4512.



NOTE:
VOLTAGES SHOWN ARE APPROX. READINGS THAT SHOULD BE OBTAINED WITH A 1000 OHMS PER VOL. VOLTMETER BETWEEN WHERE POINT WHERE VOLTAGE IS INDICATED AND GROUND (CHASSIS) EXCEPT VOLTAGES THAT ARE MARKED * WHICH ARE ACTUAL VOLTAGES AND CANNOT BE MEASURED WITH ORDINARY VOM.

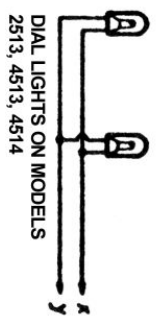
ITEM	DESCRIPTION	PART NO.
T1	ANTENNA TRANS ASSY	4170-A
T2	PRESELECTOR TRANS ASSY	4172-A
T3	OSCILLATOR TRANS ASSY	4171-A
T4	1 st IF TRANS ASSY	4174-A
T5	2 nd IF TRANS ASSY	4175-A
T6	OUTPUT TRANS ASSY	4169-B
T6		4199-B
T6		4251-B
T7	POWER TRANS ASSY	4132-C
T7		4190-C
T7		3970-C
T7		4193-A
K6	SPEAKER ASSY	
E15		

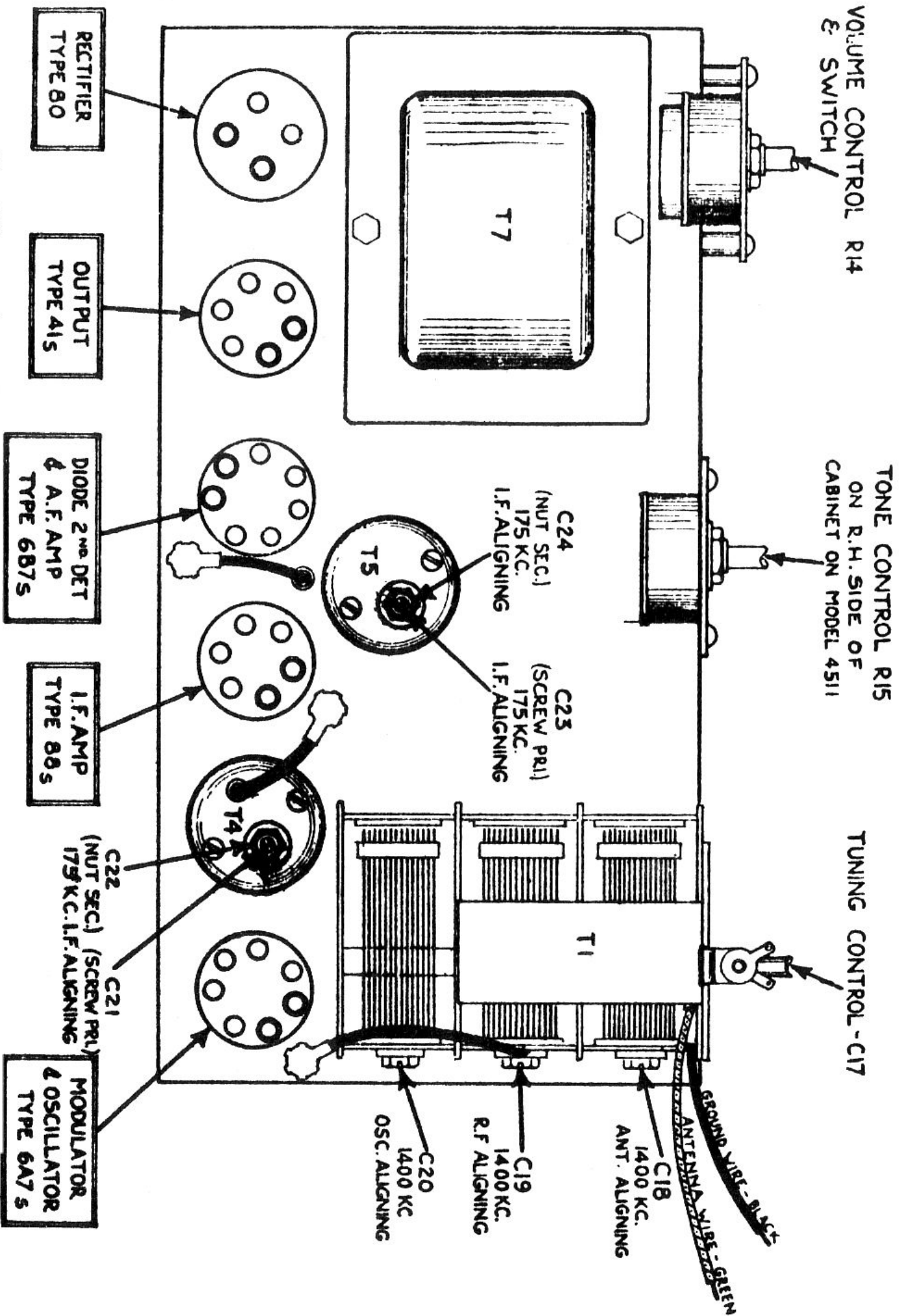
ITEM	CAPACITY	LIMITS	WORKING VOLTAGE	REMARKS	PART NO.
C1	.05 MFD	± 18%	200	TUBULAR	38109
C2	.01	± 18%	200	TUBULAR	38101
C3	.0002	± 20%	750	MICA	34103
C4		± 18%	200	TUBULAR	38106
C5	.1	± 18%	200		38106
C6	.05	± 18%	200		38109
C7	.1	± 18%	200		38106
C8	.05	± 18%	400		38112
C9	.05	± 18%	600		38111
C10	.05	± 18%	600		38110
C11	B			DOUBLE	
C12	B			DOUBLE	11836-B
C13	.0002	± 20%	750	MICA	37902
C14	.0001	± 20%	750	TUBULAR	37901
C15	.1	± 18%	200		38106
C16	.5	± 18%	200		38106
C17	3 GANG COND	± 18%	200		38106
C18	3 GANG COND	± 18%	200		11812-C
C19	IF ALIGN			PART OF GANG COND	
C20	IF ALIGN				
C21	IF ALIGN				
C22	IF ALIGN				
C23	IF ALIGN				
C24	IF ALIGN				
C25	IF ALIGN				

Rogers Models 4511, 4512, 4513, 4514
(Chassis 4511, 4512, 4513, 4514)

ITEMS MARKED X USED ON MODELS 2511 & 2513 ONLY
ITEMS MARKED □ USED ON MODELS 2512 & 2514 ONLY
ITEMS MARKED ○ USED ON MODELS 4511 & 4513 ONLY
ITEMS MARKED ● USED ON MODELS 4512 & 4514 ONLY

ITEM	RESISTANCE	LIMITS	WATTS	REMARKS	PART NO.
R1	100,000	± 15%	1/2 W	CARBON	32608
R2	100,000	± 15%	1/2 W	CARBON	32604
R3	400	± 15%	1/2 W	CARBON	34608
R4	500,000	± 15%	1/2 W	CARBON	34605
R5	50,000	± 15%	1/2 W	CARBON	34601
R6	20,000	± 15%	1/2 W	CARBON	33717
R7	500,000	± 15%	1/2 W	CARBON	33709
R8	500,000	± 15%	1/2 W	CARBON	33709
R9	250,000	± 15%	1/2 W	CARBON	33707
R10	500,000	± 15%	1/2 W	CARBON	33709
R11	1,000,000	± 10%	1/2 W	CARBON	33142
R12	180,000	± 10%	1/2 W	CARBON	33726
R13	35,000	± 10%	1/2 W	CARBON	21034
R14	250,000	± 10%	1/2 W	CARBON	11705-A
R15	50,000	± 10%	1/2 W	CARBON	11714-A
R16	100,000	± 10%	1/2 W	CARBON	11745-A
R17	100,000	± 15%	1/2 W	CARBON	32604





For Alignment see;

"ROGERS SINGLE BAND AC & BATTERY RECEIVER ALIGNMENT 175 KHZ IF"

Top View—Types 4511, 4512, 4513 and 4514 Chassis

Models 4511, 4512, 4513 and 4514