

OSC. & MOD.

1A7G

I.F. AMP

1P5M

I.F. AMP

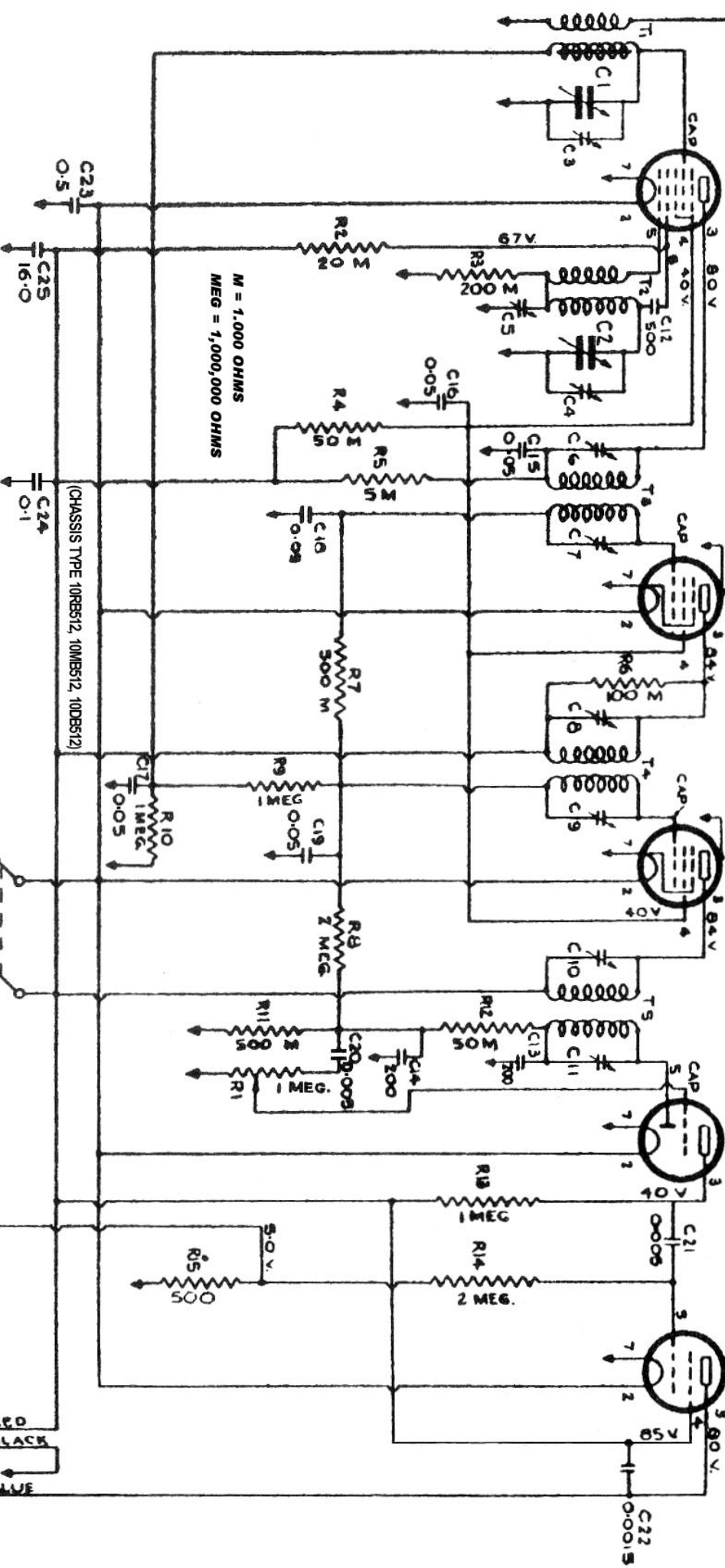
1P5M

DET. & AF AMP

1H5G

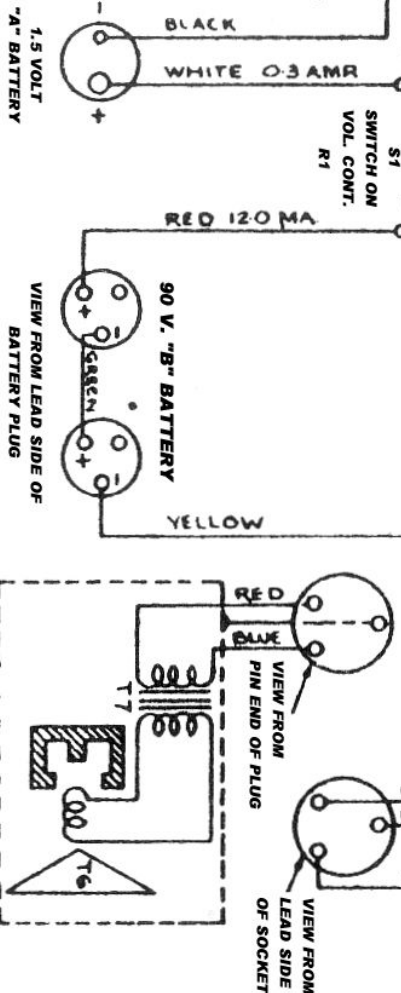
OUTPUT

105GT

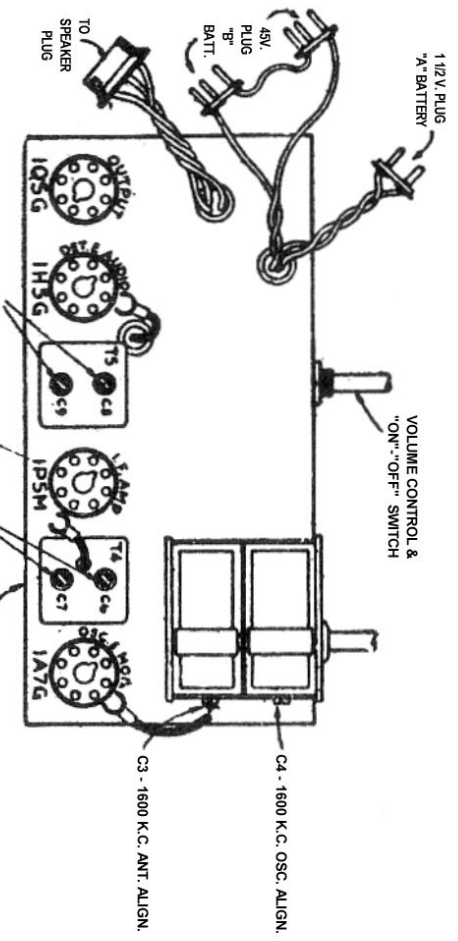


NOTE: VOLTAGE READINGS ARE BETWEEN POINTS SHOWN AND CHASSIS (GROUND) UNLESS OTHERWISE INDICATED.
 MICA CONDENSER CAPACITY SHOWN IN MMFDs.
 I.F. TRANSFORMERS ARE 456 K.C.
 VOICE COIL D.C. RESISTANCE 3.0 OHMS.

Rogers 15/50X
Majestic 4150X
De Forest X05/41



Rogers 15/50X Majestic 4150X De Forest X05/41



Battery Operated Radio Alignment and Chassis Layout

(CHASSIS INDEX 10RB512, 10MB512, 10DB512)

MAJESTIC 4150X ROGERS "15/50X" DE FOREST X05/41

Operation	Connect	Set Generator Tuning	Set Receiver Tuning	Dummy Antenna	Volume Control	Adjust	Remarks
1	To Grid Cap of 1A7G	456 kc/s.	700-800 kc/s.	.1 mfd.	Max.	C6, C7, C8, C9	To Peak I.F.
2	To Antenna	1600 kc/s.	1600 kc/s.	.0002 mfd.	Max.	C4	To Peak Osc.
3	To Antenna	1600 kc/s.	1600 kc/s.	.0002 mfd.	Max.	C3	To Peak Ant.
4	* To Antenna	600 kc/s.	600 kc/s.	.0002 mfd.	Max.	C5	To Track Osc.
5	To Antenna	1600 kc/s.	1600 kc/s.	.0002 mfd.	Max.	C4	To Check Osc.

Always use an output meter or other visual indicator when making alignment. Use only enough generator output to give readable value on output indicator.

† Connect generator lead to antenna section of condenser gang.