

OSC. & MOD.

1A7G

I. F. AMP.

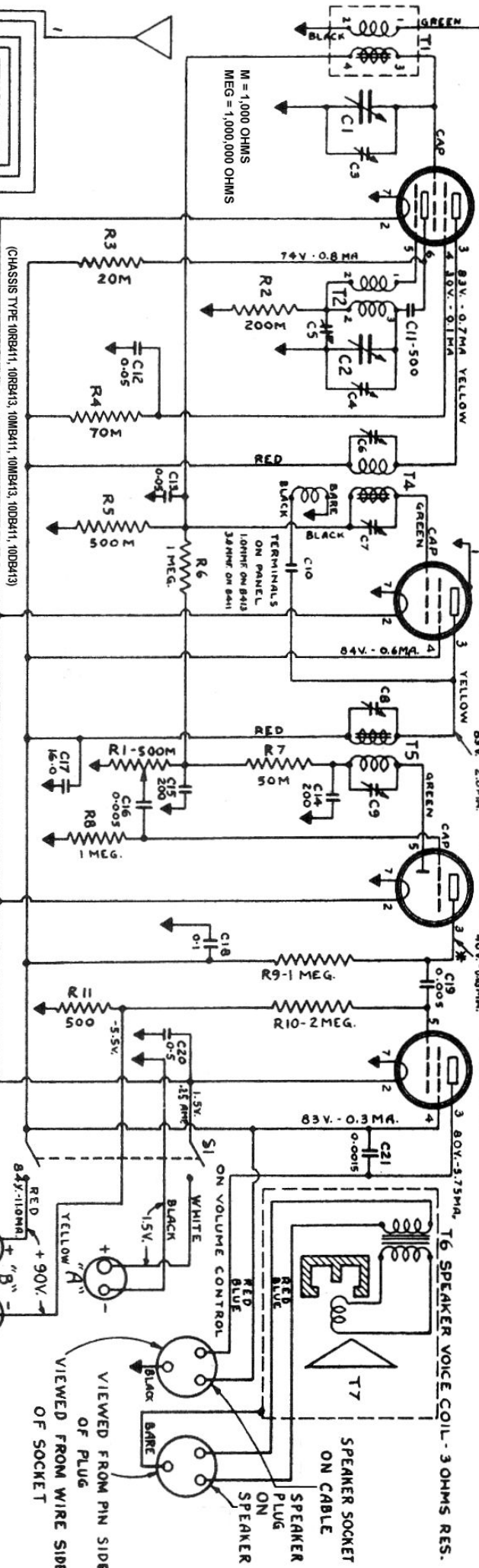
1P5M

DET. & AUDIO

1H5G

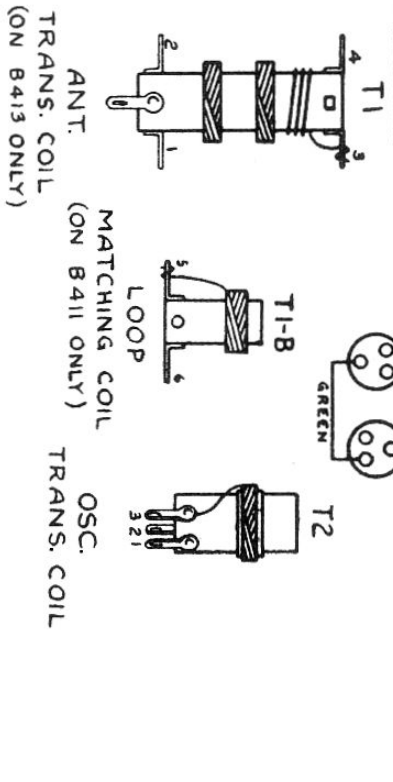
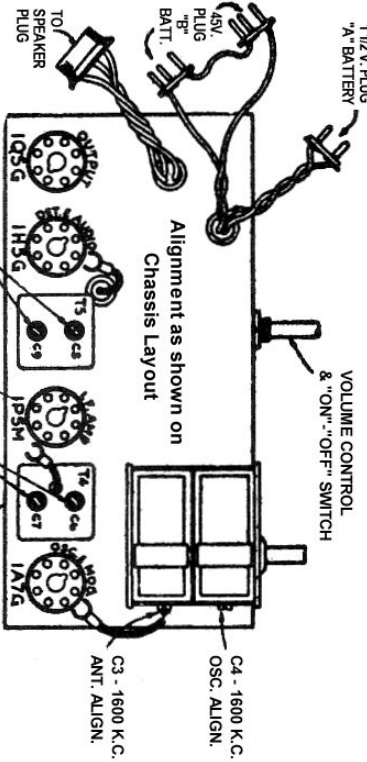
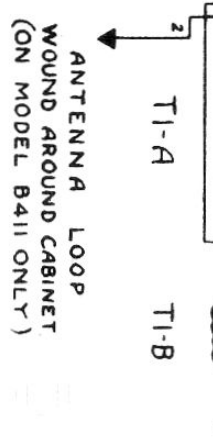
OUTPUT

1Q5GT



Note - VOLTAGE READINGS ARE BETWEEN POINTS SHOWN AND CHASSIS (GROUND) UNLESS OTHERWISE INDICATED.

MICA CONDENSER CAPACITIES SHOWN IN mmf/ds



RCC - Rogers Majestic Data Sheet 74 (Right) - 1940-41

Rogers 15/40P & 15/43
Majestic 4140P & 4143
De Forest P04/41 & 34/41