

C3 - 1600 K.C. ANT ALIGNING      C4 - 1600 K.C. OSC. ALIGNING      C5 - 600 K.C. " SERIES ALIGN.      C6 - 456 K.C. 1ST I.F. ALIGN.      C7 - 456 K.C. " " "      C8 - 456 K.C. 2ND I.F. ALIGN.      C9 - 456 K.C. " " " "

**MODULATOR  
OSCILLATOR**

**6A7M**

**I.F. AMP.**

**6K7M**

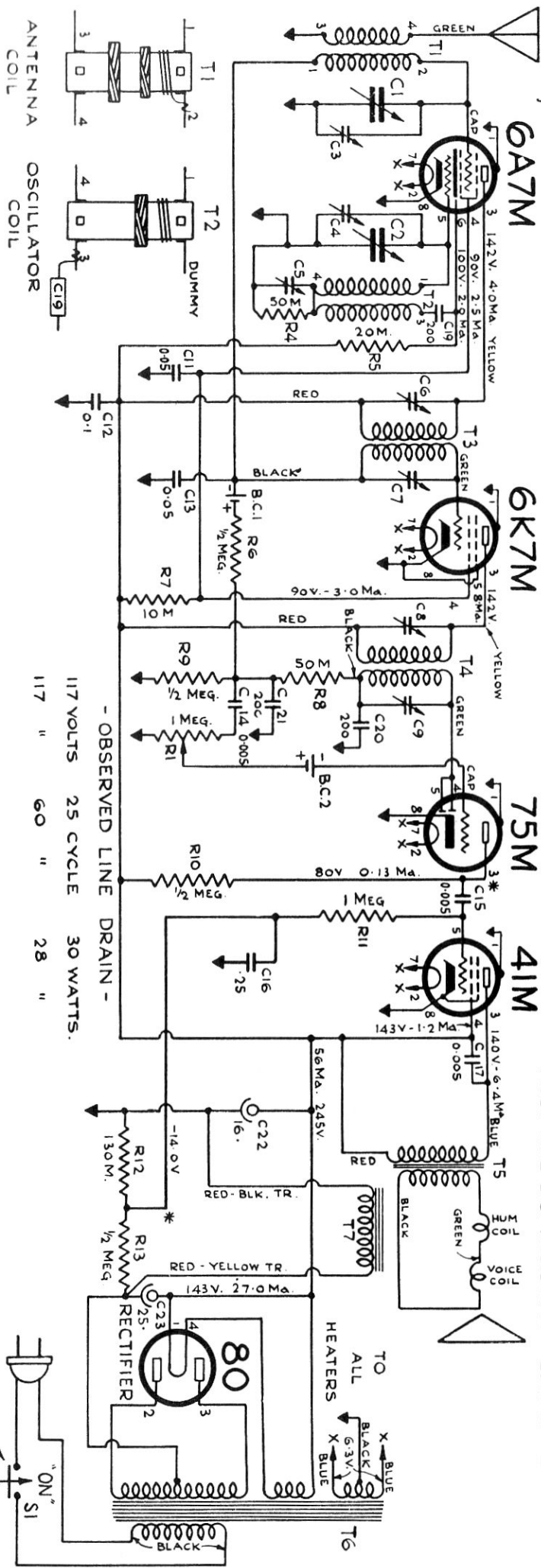
**2ND. DET.  
A.F. AMP.**

**75M**

**OUTPUT**

**41M**

VOICE COIL D.C. RESISTANCE 4.7 OHMS.  
FIELD COIL D.C. RESISTANCE 2500 OHMS.

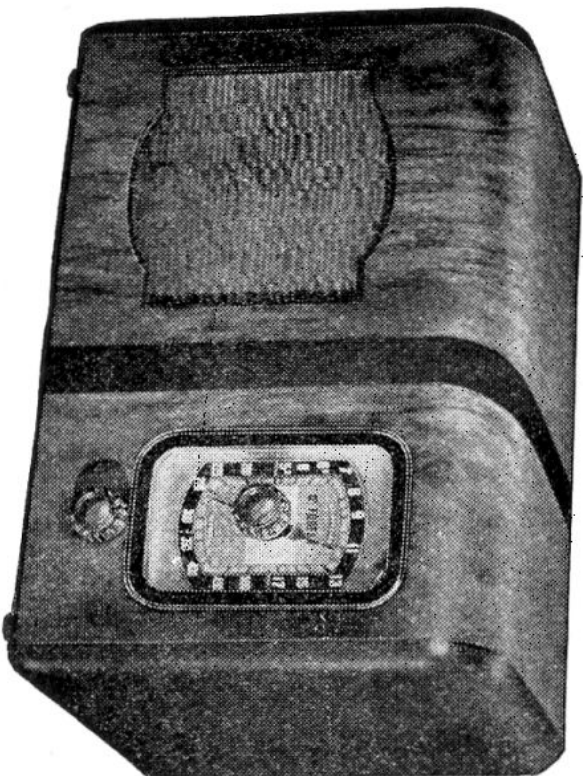


- OBSERVED LINE DRAIN -

117 VOLTS	25 CYCLE	30 WATTS.
117 "	60 "	28 "

\* VALUES OF RESISTANCE IN CIRCUIT DO NOT PERMIT OF ACCURATE VOLTAGE CHECK. USE PLATE CURRENT AS INDICATION OF PRESENCE OF CORRECT GRID AND PLATE VOLTAGE. VOLTAGE READINGS ARE BETWEEN POINTS SHOWN AND CHASSIS (GROUND) UNLESS OTHERWISE INDICATED

**Rogers 14-55 Majestic 955 De Forest "Grand" (Chassis 9R512, 9M512, 9D512)**



The "Grand"

## Rogers 14-55 Majestic 955 De Forest "Grand" (Chassis 9R512, 9M512, 9D512)

### ALIGNMENT

**I.F.—**Short out oscillator section of gang condenser. Connect generator through a .1 mfd. condenser to control grid of 6A7M tube (grid cap in position. With generator at 456 kc./s adjust I. F. trimmers C9, C8, C7 and C6 in that order for maximum output.

**R.F.—**Remove shorting link from gang condenser. Apply 1600 kc. signal through a .0002 mfd. condenser to antenna (Green) lead or terminal "A". Adjust C4 (oscillator) and C3 (R. F.) for maximum reading. Reset generator to 600 kc. and adjust C5 for maximum reading. Rock gang during this operation.

