

- C3 - 1600 K.C. ANT ALIGNING
- C4 - 1600 K.C. OSC. ALIGNING
- C5 - 600 K.C. " SERIES ALIGN.
- C6 - 456 K.C. 1ST I.F. ALIGN.
- C7 - 456 K.C. " " " "
- C8 - 456 K.C. 2ND I.F. ALIGN.
- C9 - 456 K.C. " " " "

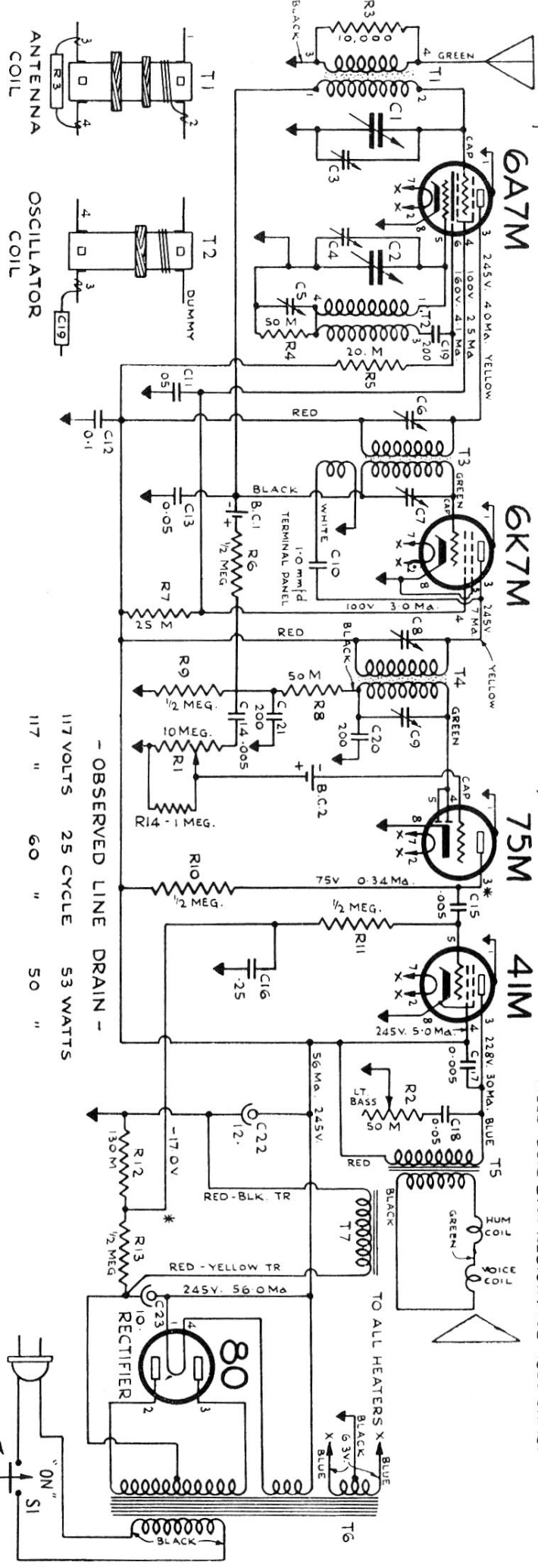
**MODULATOR
OSCILLATOR
6A7M**

**1. F. AMP.
6K7M**

**2ND. DET.
A.F. AMP.
75M**

**OUTPUT
41M**

VOICE COIL D.C. RESISTANCE 3-2 OHMS.
FIELD COIL D.C. RESISTANCE 1550 OHMS.

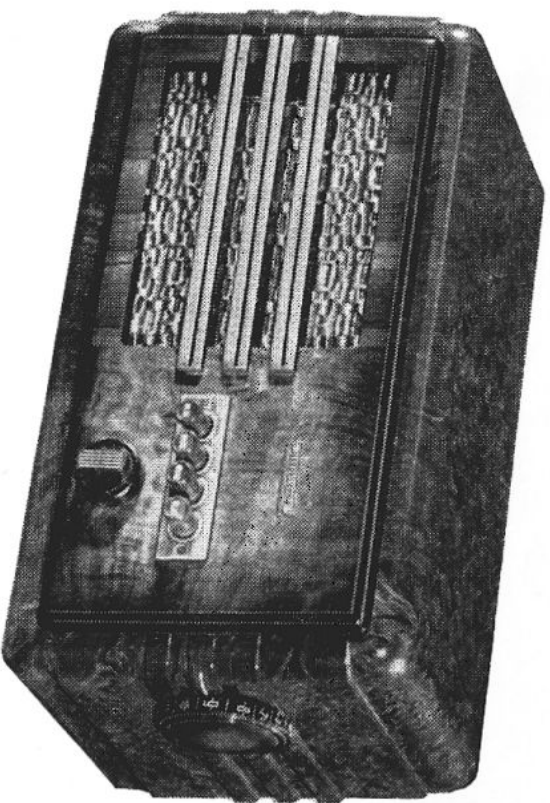


- OBSERVED LINE DRAIN -
117 VOLTS 25 CYCLE 53 WATTS
117 " 60 " 50 "

VALUES OF RESISTANCE IN CIRCUIT DO NOT PERMIT OF ACCURATE VOLTAGE CHECK. USE PLATE CURRENT AS INDICATION OF PRESENCE OF CORRECT GRID AND PLATE VOLTAGE.

VOLTAGE READINGS ARE BETWEEN POINTS SHOWN AND CHASSIS (GROUND) UNLESS OTHERWISE INDICATED.

Rogers 14-53 Majestic 953 De Forest "Continental" (Chassis 9R511, 9M511, 9D511)



The "Continental"

Rogers 14-53 Majestic 953 De Forest "Continental"

(Chassis 9R511, 9M511, 9D511)

ALIGNMENT

I.F.— Short out oscillator section of gang condenser. Connect generator through a .1 mfd. condenser to control grid of 6A7M tube (grid cap in position. With generator at 456 kc./s adjust I. F. trimmers C9, C8, C7 and C6 in that order for maximum output.

R.F.— Remove shorting link from gang condenser. Apply 1600 kc. signal through a .0002 mfd. condenser to antenna (Green) lead or terminal "A". Adjust C4 (oscillator) and C3 (R. F.) for maximum reading. Reset generator to 600 kc. and adjust C5 for maximum reading. Rock gang during this operation.

