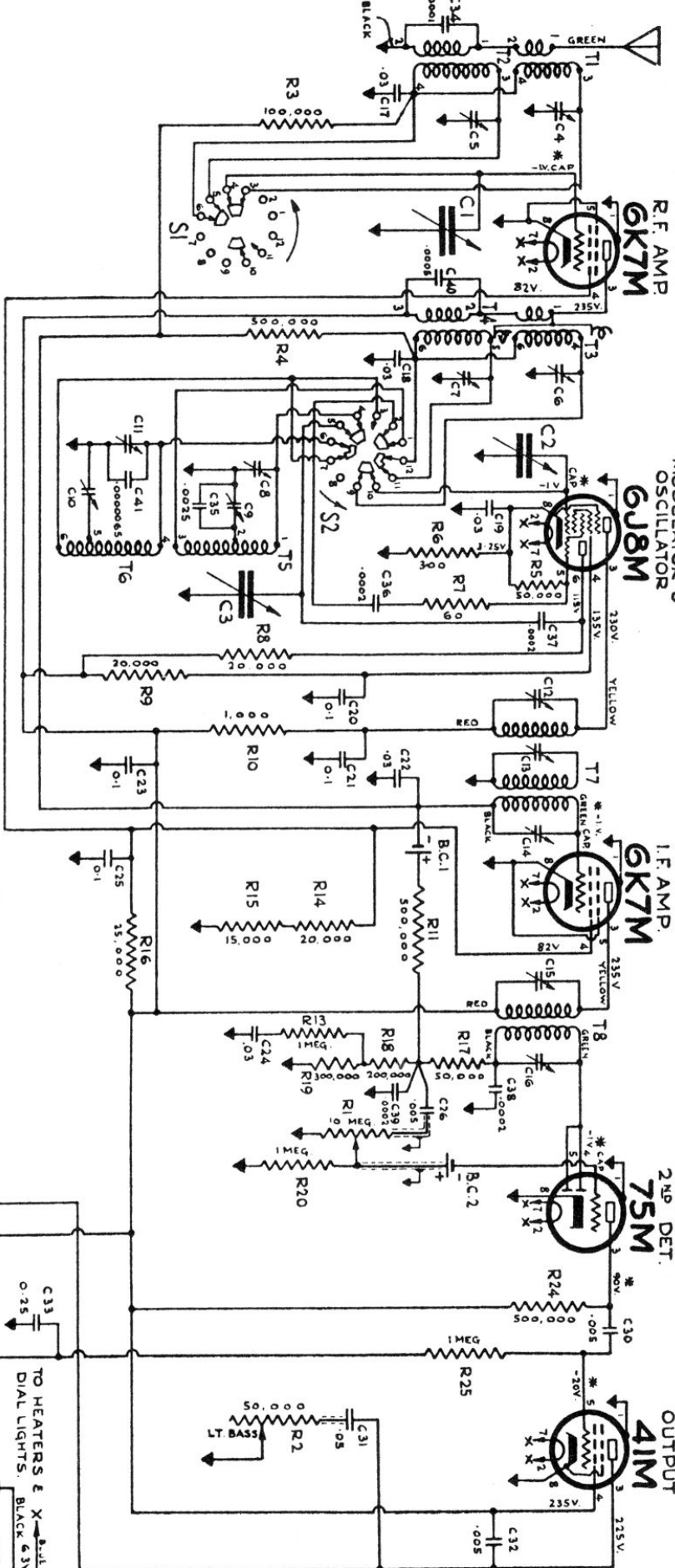
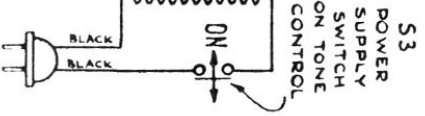
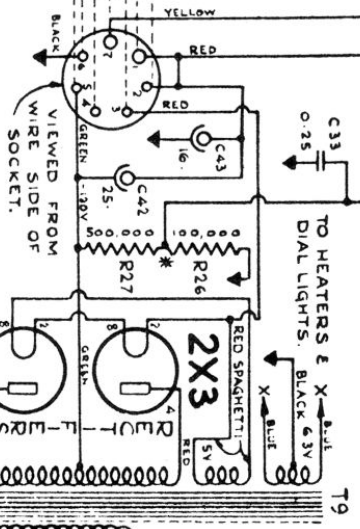
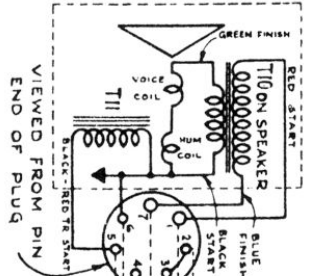


- C4 - 17,500 K.C. ANT. ALIGNING
- C5 - 1,600 K.C. " "
- C6 - 17,500 K.C. INTER. " "
- C7 - 1,600 K.C. " "
- C8 - 17,500 K.C. OSC. " "
- C9 - 6,000 K.C. OSC. SERIES ALIGNING
- C10 - 600 K.C. " "
- C11 - 1,600 K.C. " ALIGNING.
- C12 - 456 K.C. I.F. ALIGNING
- C13 - 456 K.C. I.F. " "
- C14 - 456 K.C. I.F. " "
- C15 - 456 K.C. 2ND I.F. ALIGNING.
- C16 - 456 K.C. 2ND " " "



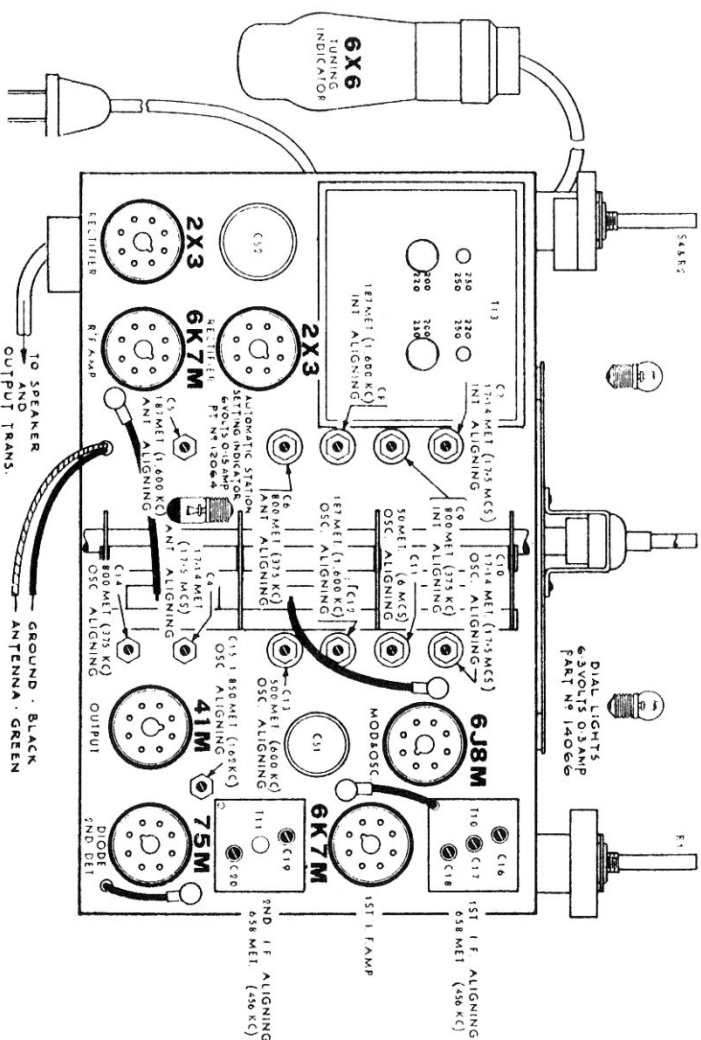
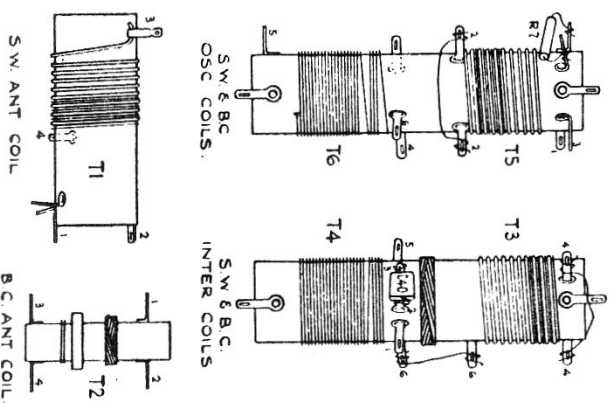
Note :- S1 & S2 BAND SWITCHES ARE VIEWED FROM REAR OF CHASSIS WITH CHASSIS INVERTED. SWITCHES SHOWN IN SHORT WAVE POSITION.

Rogers 13-70 Majestic 870 De Forest "Greig"



Rogers 13-70 Majestic 870 De Forest "Greig"

Note - COILS VIEWED FROM REAR OF CHASSIS WITH CHASSIS INVERTED.



Operation	Connect	Set Generator Tuning	Set Receiver Tuning (x)	Dummy Antenna	Volume Control	Adjust	Remarks
1	Generator To Grid Cap of 6J8M	456 kc/s.	700-800 kc/s.	.01 mfd.	Max.	C16, C15, C14, C13	To Peak I. F.
2	To Antenna	1600 kc/s.	1600 kc/s.	.0002 mfd.	Max.	C12	To Peak Osc.
3	To Antenna	1600 kc/s.	1600 kc/s.	.0002 mfd.	Max.	C7	To Peak Int.
4	To Antenna	1600 kc/s.	1600 kc/s.	.0002 mfd.	Max.	C5	To Peak Ant.
5	To Antenna	600 kc/s.	600 kc/s.	.0002 mfd.	Max.	C10*	To Track Osc.
6	To Antenna	1600 kc/s.	1600 kc/s.	.0002 mfd.	Max.	C11	Recheck C11
7	To Antenna	17.5 mc/s.	17.5 mc/s.	400 ohms	Max.	C8	To Peak Osc.
8	To Antenna	17.5 mc/s.	17.5 mc/s.	400 ohms	Max.	C6	To Peak Int.
9	To Antenna	17.5 mc/s.	17.5 mc/s.	400 ohms	Max.	C4	To Peak Ant.
10	To Antenna	6.0 mc/s.	6.0 mc/s.	400 ohms	Max.	C9*	To Track Osc.

NOTE:—Always use an output meter or other visual indicator when making alignment. Use only enough generator output to give readable value on output indicator. The resistors and condensers used as dummy antennae must be non-inductive types.

*Rock tuning control during this adjustment. Always ground generator and receiver (ground) connection.

(x) For Automatic models, the push-button must be in the Manual position at all times during primary alignment. The tuning indicator will assist in indicating maximum alignment.