

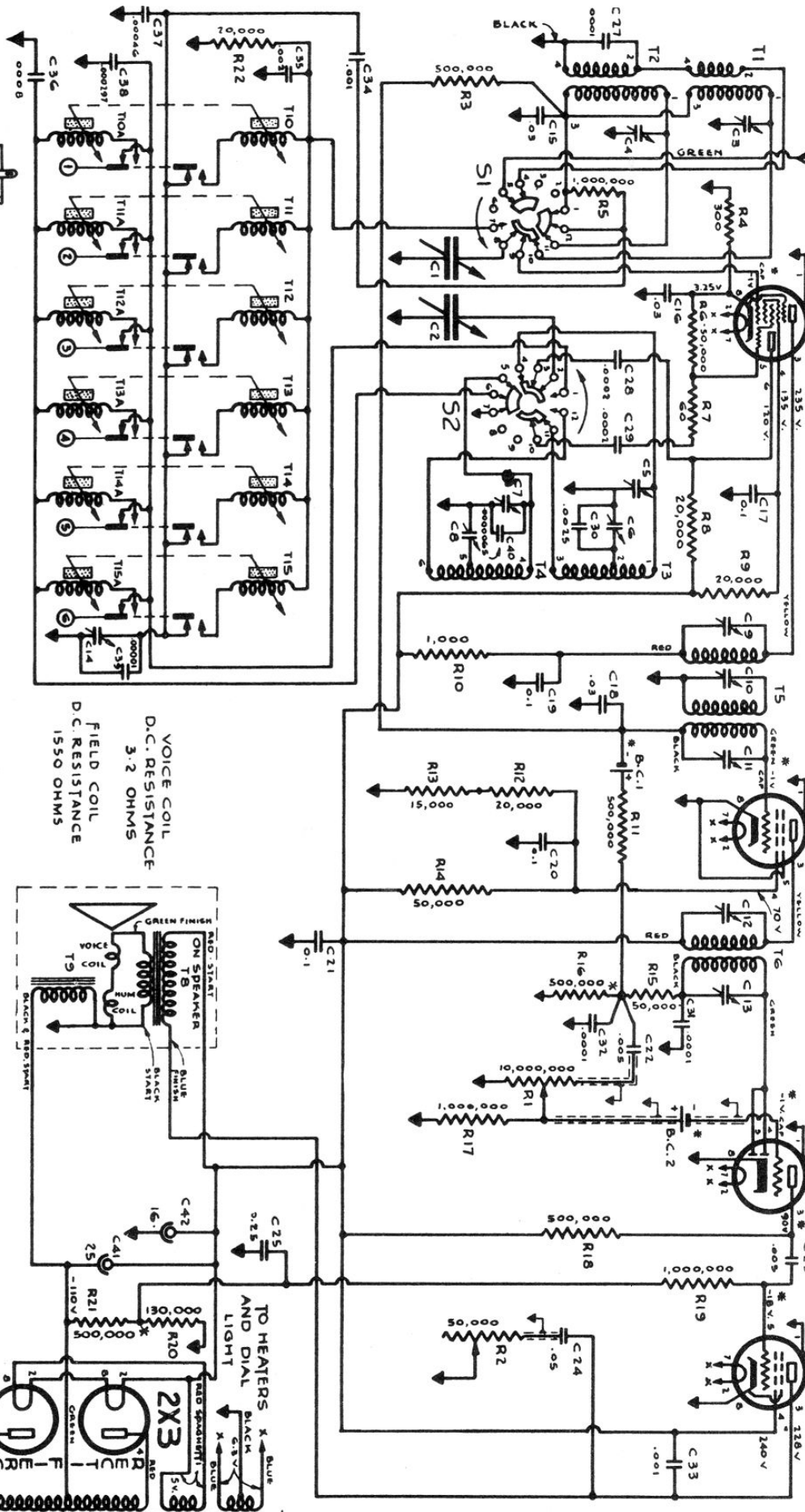
- C3 - 17,500KC. ANTI. ALIGNING
- C4 - 1,600KC. " "
- C5 - 17,500KC. OSC. " "
- C6 - 6000KC.
- C7 - 1,600KC.
- C8 - 600KC.
- C9 - 456KC. 1ST. I.F. ALIGNING
- C10 - 456KC. " "
- C11 - 456KC. " "
- C12 - 456KC. 2ND. I.F. ALIGNING
- C13 - 456KC. " "
- C14 - 1600KC. ANTI. TRIMMER, AUTO.

MODULATOR
OSCILLATOR
6J8M

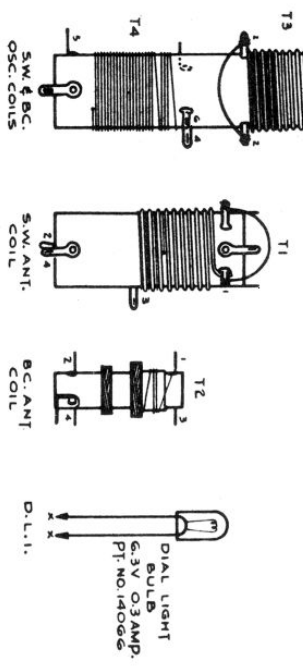
I.F. AMP.
6K7M

DIODE
2ND DET.
75M

OUTPUT
41M

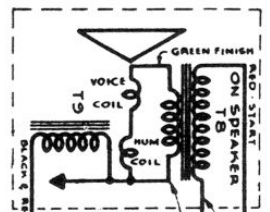


NOTE - COILS VIEWED FROM REAR OF CHASSIS WITH CHASSIS INVERTED.



VOICE COIL
D.C. RESISTANCE
3.2 OHMS

FIELD COIL
D.C. RESISTANCE
1550 OHMS



OBSERVED LINE DRAIN

117 VOLTS	25 CYCLES	45 WATTS	.52 AMPS.
117 VOLTS	60 "	41 "	.42 "

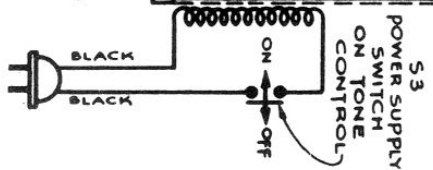
Rogers 13-60 Majestic 860 De Forest "Soussa"

* VALUES OF RESISTANCE IN CIRCUIT DO NOT PERMIT OF ACCURATE VOLTAGE CHECK. USE PLATE CURRENT AS INDICATION OF PRESENCE OF CORRECT GRID & PLATE VOLTAGE.

VOLTAGE READINGS ARE BETWEEN POINTS SHOWN AND CHASSIS (GROUND) UNLESS OTHERWISE INDICATED.

S4 - AUTOMATIC SWITCH ARRANGEMENT AND COIL LAY-OUT VIEWED FROM FRONT OF CHASSIS WITH CHASSIS IN NORMAL POSITION.

NOTE - S1 & S2 BAND SWITCH IS VIEWED FROM REAR OF CHASSIS WITH CHASSIS INVERTED. SWITCHES SHOWN IN SHORT WAVE POSITION.



ALIGNMENT DATA--

Operation	Connect Generator	Set Generator Tuning	Set Receiver Tuning	Band Switch	Dummy Antenna	Volume Control	Adjust	Remarks
1	To Grid Cap of 6J8M	456 kc/s.	700-800 kc/s.	Broadcast	.01 mfd.	Max.	C13, C12, C11, C10, C9	To Peak I.F.
2	To Antenna (Green)	1600 kc/s.	1600 kc/s.	Broadcast	.0002 mfd.	Max.	C7	To Peak Osc.
3	To Antenna (Green)	1600 kc/s.	1600 kc/s.	Broadcast	.0002 mfd.	Max.	C4	To Peak Ant.
4	To Antenna (Green)	600 kc/s.	Rock through 600 kc/s.	Broadcast	.0002 mfd.	Max.	*C8	To Peak Osc.
5	To Antenna (Green)	1600 kc/s.	1600 kc/s.	Broadcast	.0002 mfd.	Max.	C7	Recheck Osc.
6	To Antenna (Green)	17.5 mc/s.	17.5 mc/s.	Short-wave	400 ohm	Max.	C5	To Peak Osc.
7	To Antenna (Green)	17.5 mc/s.	17.5 mc/s.	Short-wave	400 ohm	Max.	C3	To Peak Ant.
8	To Antenna (Green)	6.0 mc/s.	Rock through 6.0 mc/s.	Short-wave	400 ohm	Max.	*C6	To Peak Osc.
9	(See "Antenna Trimmer Adjustment"—Page 13)							

NOTE:—Always use an output meter or other visual indicator when making alignment. Use only enough generator output to give readable value on output indicator. The resistors and condensers used as dummy antenna must be non-inductive types.

*Rock tuning control during this adjustment.

Rogers 13-60 Majestic 860 De Forest "Sousa"

