

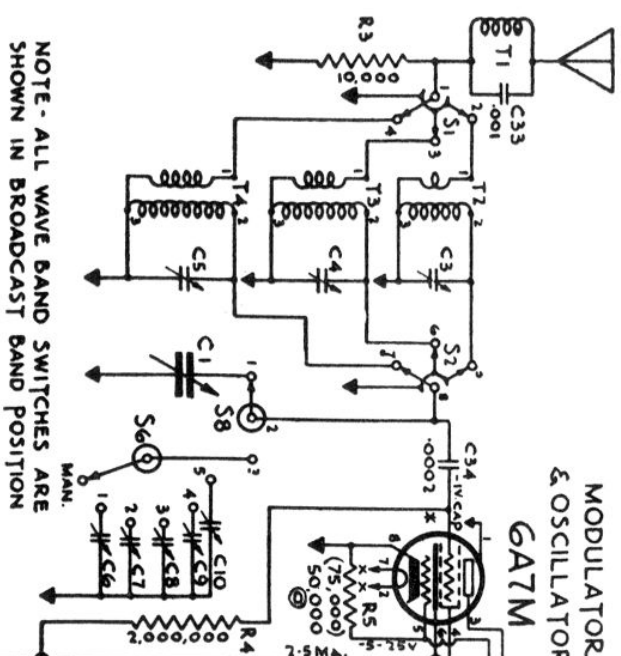
- C3 - 17,500 KC. ANT. ALIGNING
- C4 - 5,000 KC. "
- C5 - 1,600 KC. "
- C6 - 540 KC. TO 850 KC. ANT. ALIGNING
- C7 - 550 KC. " 950 KC. "
- C8 - 650 KC. " 1100 KC. "
- C9 - 780 KC. " 1250 KC. "
- C10 - 1000 KC. " 1500 KC. "

- C11 - 600 KC. OSC. SERIES ALIGNING
- C12 - 17,500 KC. OSC. ALIGNING
- C13 - 5,000 KC. "
- C14 - 1,600 KC. "
- C15 - 540 KC. TO 850 KC. OSC. ALIGNING
- C16 - 550 KC. " 950 KC. "
- C17 - 650 KC. " 1100 KC. "
- C18 - 780 KC. " 1250 KC. "
- C19 - 1000 KC. " 1500 KC. "

- C20 - 450 KC. 1ST I.F. ALIGNING
- C21 - 450 KC. " " "

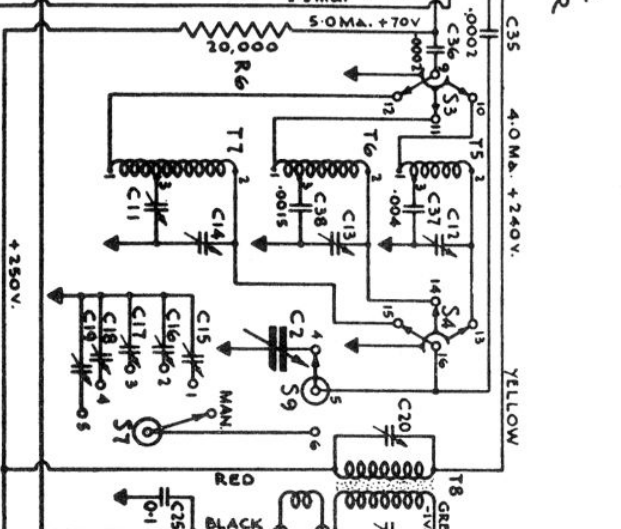
- C22 - 450 KC. 2ND I.F. ALIGNING
- C23 - 450 KC. " " "
- C24 - 1ST. I.F. NEUTRALIZING COND. (TRANSPOSED LEADS)

MODULATOR & OSCILLATOR

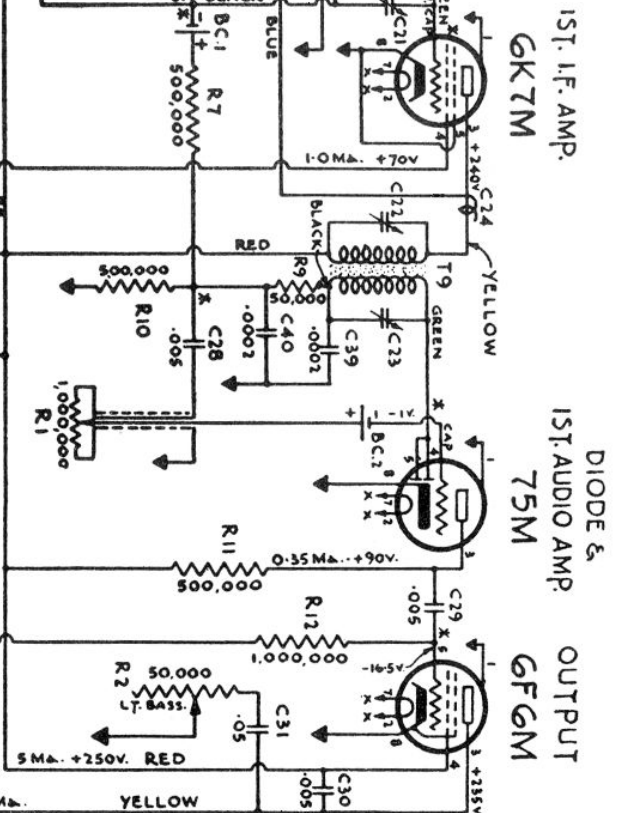


GATM

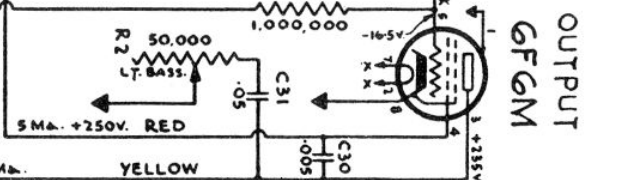
1ST. I.F. AMP. GKT7M



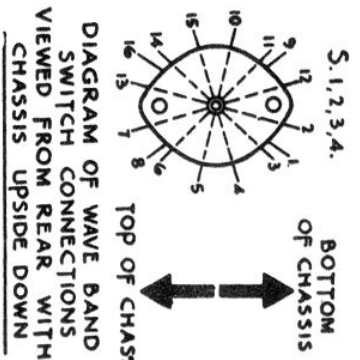
DIODE & 1ST. AUDIO AMP. 75M



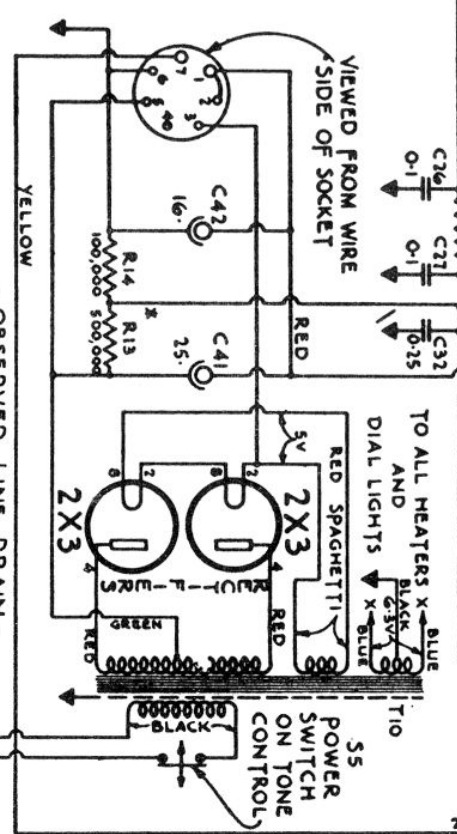
OUTPUT 6FM



NOTE - ALL WAVE BAND SWITCHES ARE SHOWN IN BROADCAST BAND POSITION



- D.L. 142
 - DIAL LIGHTS 5CP - 6.3V. PART # 13857
 - DIAL POINTER LIGHT 6.3V. - .3AMP. PT. # 14066 ONLY ON 7R632 - 7R634
 - AUTOMATIC TUNING LIGHT KNOB 6.3V. - .25AMP. PT. # 12560
- * VALUES OF RESISTANCE IN CIRCUIT DO NOT PERMIT OF ACCURATE VOLTAGE CHECK. USE PLATE CURRENT AS INDICATION OF PRESENCE OF CORRECT GRID & PLATE VOLTAGE.
- VOLTAGE READINGS ARE BETWEEN POINTS SHOWN AND CHASSIS (GROUND) UNLESS OTHERWISE INDICATED.



Rogers 12-61, 12-66 Majestic 761, 768 De Forest "Columbian" "Albertan"

- OBSERVED LINE DRAIN - 115 VOLTS - 25 CYCLE - 72 WATTS - 0.64 AMPS. 60 " 67 " 0.56 "

