

RESISTORS

Item #	Resistance	Part #
R1	250,000 Ohm V.C.C.	13190
R2	50,000 Ohm T.C.C.	13191
R3	With SW1 Ohm	
Graphite		
R4	50,000 Ohm	33301
R5	1,000,000 Ohm	33306
R6	50,000 Ohm	33301
R7	15,000 Ohm	40541
R8	1,600,000 Ohm	33306
R9	500,000 Ohm	33303
R10	1,000,000 Ohm	33306
R11	1,000,000 Ohm	33306
R12	215,000 Ohm	33312

CONDENSERS

Item #	Capacitance	Part #
Variable Air		
C1	370 mmf. Gang	13367
C2	370 mmf. Gang	
Variable Mica		
C3	Ant. P. Pad.)	On Gang
C4	Osc. P. Pad.)	4056
C5	Osc. S. Pad.)	
C6	1st I. F. Pad.)	In I. F.
C7	1st I. F. Pad.)	Trans.
C8	2nd I. F. Pad.)	
C9	2nd I. F. Pad.)	
C10	Neutralizing	Twister
		Wires

CONDENSERS

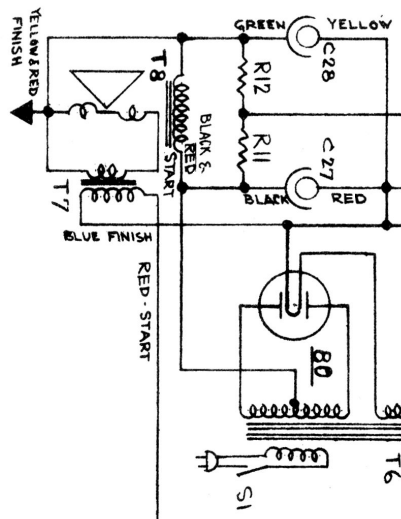
Item #	Capacitance	Part #
C22	1,000 mmf.	In Wave Trap
C23	200 mmf.	37905
C24	200 mmf.	37905
C25		
C26		
Electrolytic		
C27	8 mf. dry)	DRY Carton
C28	8 mf. dry)	Pt. 11838

COILS, ETC.

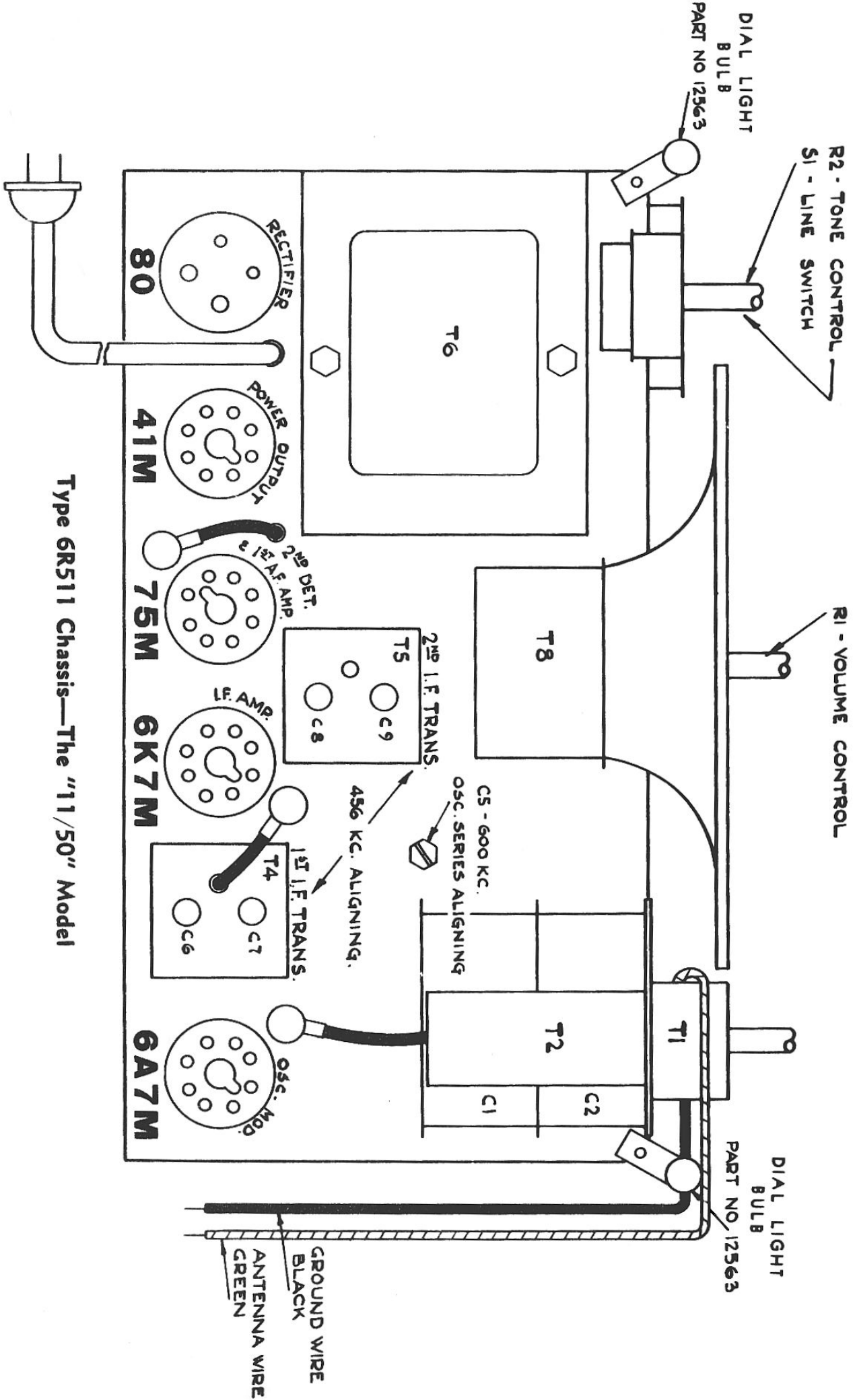
Item #	Name	Part #
T1	Wave Trap	5180
T2	Ant. Trans.	5246
T3	Osc. Coil	5247
T4	1st I. F. Trans.	5248
T5	2nd I. F. Trans.	5249
T6	Power Trans.	4963
T7	Output Trans.	On Speaker
T8	Speaker	5189

GENERAL

B.C.1	Bias Cell	13109
B.C.2	Bias Cell	13109
S.1	On Tone Control	



Rogers Model 11/50 (Chassis 6R511)



Type 6R511 Chassis—The "11/50" Model