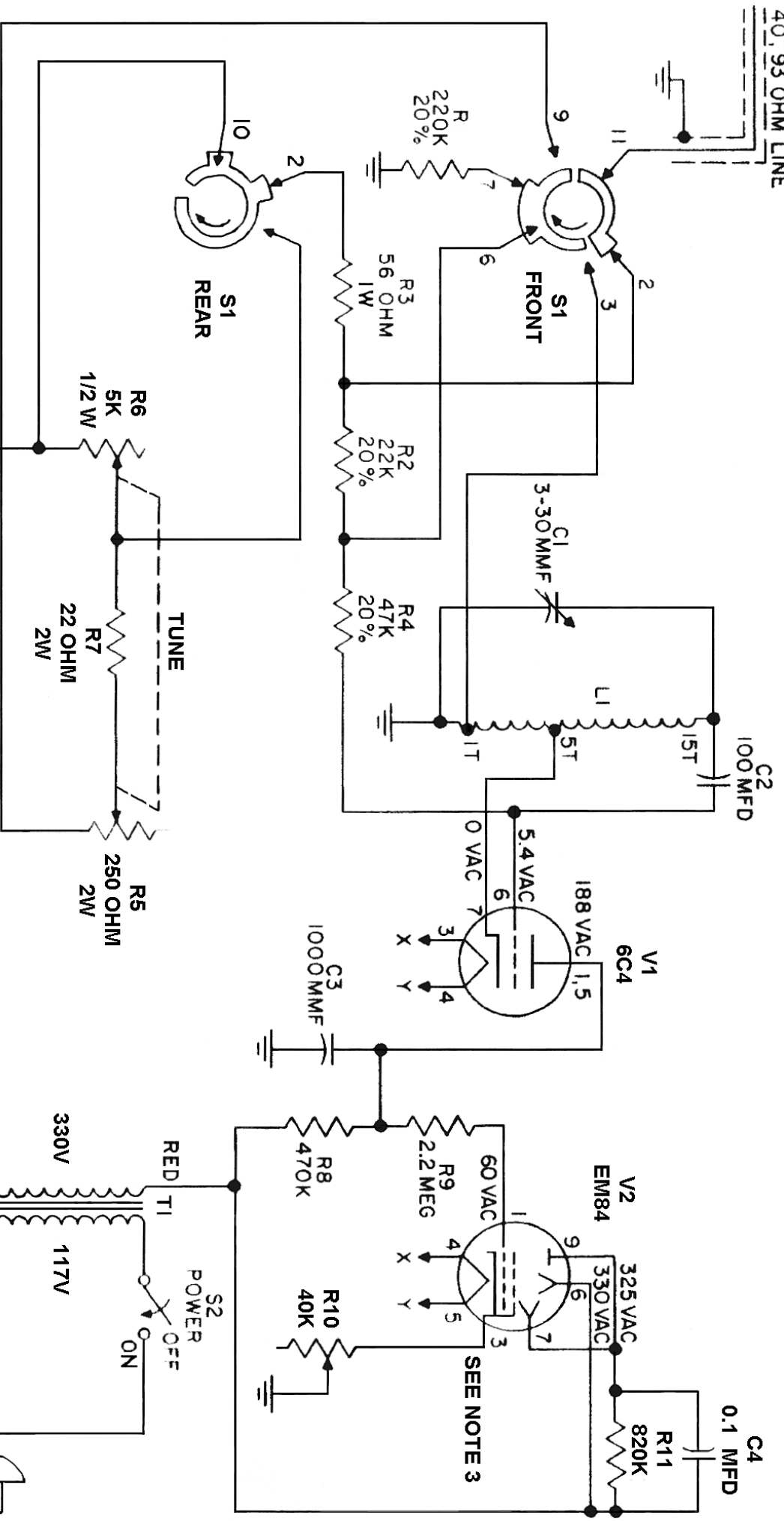


40" 93 OHM LINE



Realistic TK-112 "In Circuit Capacitor Tester"

NOTES;
1. S1 SHOWN IN SHORT POSITION.
POSITIONS:

1. SHORT
2. OPEN
3. 2 - 40 MFD
4. 40 - 400 MFD

2. ALL RESISTANCES ARE 1/2W
10% UNLESS OTHERWISE SPECIFIED
3. CATHODE VOLTAGE VARIES WITH SETTING R10

