

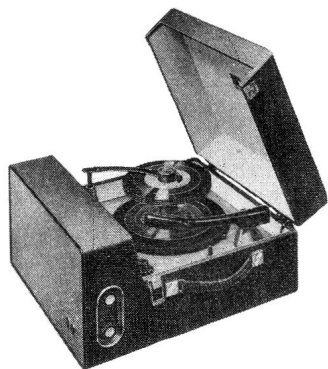
VE43A  
VA47  
VE48A  
VE49M



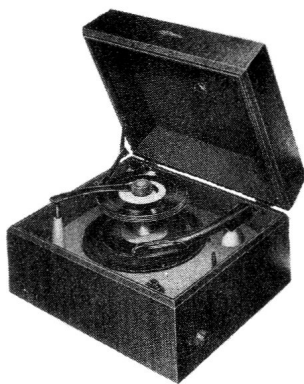
# RCA VICTOR



## RECORD PLAYERS AND RECORD PLAYER ATTACHMENT MODELS VE43A, VA47, VE48A and VE49M SERVICE DATA



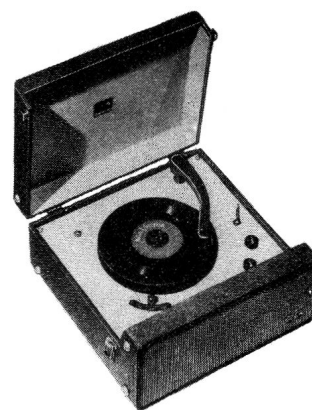
Model VE43A



Model VA47



Model VE48A



Model VE49M

### GENERAL DESCRIPTION

Model VA47 is a record player attachment, incorporating an automatic three-speed record changer mechanism.

Model VE49M Portable is a three speed manual type record player containing a three tube amplifier.

Model VE43A is a portable three speed automatic

record player containing a three tube amplifier similar to model VE49M.

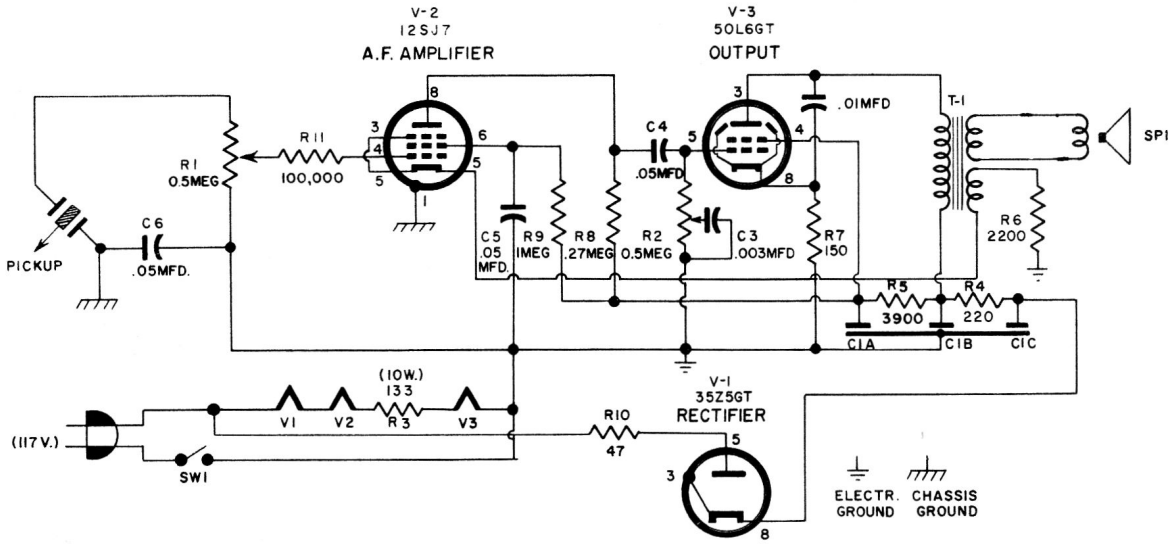
Model VE48A is a table model, three speed automatic record player containing a three tube amplifier similar to model VE49M and VE43A.

### ELECTRICAL AND MECHANICAL SPECIFICATIONS

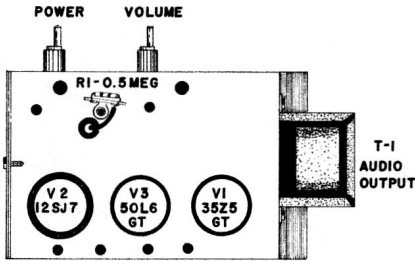
	Models:	VE43A	VA47	VE48A	VE49M
TURNTABLE SPEED	-----	three speeds	33-1/3; 45 & 78 RPM		
PICKUP (Medium Output)	-----	Crystal	Crystal	Crystal	Crystal
TUBE COMPLEMENT					
1ST AUDIO AMP.	-----	12SJ7	—	12SJ7	12SJ7
POWER OUTPUT	-----	50L6GT	—	50L6GT	50L6GT
RECTIFIER	-----	35Z5GT	—	35Z5GT	35Z5GT
LOUDSPEAKER	-----	5"	—	6"	6"
RECORD CHANGER MECHANISM	-----		124330-1 & 2		ALLIANCE
CABINET DIMENSIONS (OVERALL)					
LENGTH	-----	17 1/4"	14"	17 1/4"	14 1/2"
WIDTH	-----	14 3/4"	16 1/4"	16"	14 1/4"
HEIGHT	-----	8 1/4"	9 1/4"	10"	6 1/2"

ISSUED BY  
HOME INSTRUMENT SERVICE DIVISION  
RCA VICTOR COMPANY, LTD.  
MONTREAL, CANADA

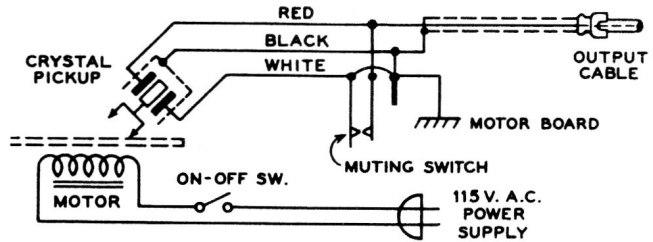
VE43A  
VA47  
VE48A  
VE49M



Schematic Diagram for Models VE43A  
VE48A and VE49M.



Amplifier Layout for  
Model VE43A, VE48A, VE49M



Schematic Diagram for Model VA47

## REPLACEMENT PARTS LIST

Insist on Genuine Factory Tested Parts, which are readily identified and may be purchased from Authorized Dealers.

Symbol #	Stock #	Description	Symbol #	Stock #	Description	
C-1A)	*S-20435	Capacitor - Electrolytic - 30 mfd. 150V	S-20075	S-20075	Crystal - Astatic Crystal	
C-1B)			S-20076			Crystal - Changeover Mechanism
C-1C)			S-20084			Decal - Speed Decal
		Capacitor - Electrolytic - 50 mfd. 150V	S-20085		Disc. - 45 RPM Adapter Disc.	
		Capacitor - Electrolytic - 30 mfd. 150V	S-20083		Motor - 25 cycle complete with change mechanism	
C-2		Capacitor - .01 mfd. 400V	S-20267		Motor - 50 cycle complete with change mechanism	
C-3		Capacitor - .003 mfd. 400V	S-20082		Motor - 60 cycle complete with change mechanism	
C-4		Capacitor - .05 mfd. 600V	S-20222		Stylus - for crystal S-20075 (33-1/3 & 45 RPM)	
C-5		Capacitor - .05 mfd. 600V	S-20223		Stylus - for crystal S-20075 (78 RPM)	
C-6		Capacitor - .05 mfd. 600V	S-20078		Support - Tone Arm Support	
R-1	*S-20433	Control-Volume Control 0.5 megs.	S-20080		Turntable	
R-2	*S-20434	Control - Tone & Power Switch 0.5 megs.	S-20081		Washer - Turntable "C" Washer	
R-3		Resistor - 133 ohms, 10W	S-20082		Wheel - Idler Wheel	
R-4		Resistor - 220 ohms, 10%, 1W	COMMON PARTS			
R-5		Resistor - 3900 ohms, 10%, 1/2W	*S-20442		Case - Knob Case (VE-43A)	
R-6		Resistor - 2200 ohms, 10%, 1/2W	*S-20441		Catch - Lid Catch (VE-49M, VE-43A)	
R-7		Resistor - 150 ohms, 10%, 1/2W	*S-20440		Feet - Metal Feet (VE-49M, VE-43A)	
R-8		Resistor - .27 megs, 10%, 1/2W	*S-20439		Handles - Carrying Handles (VE49M, VE43A)	
R-9		Resistor - 1 megohm, 10%, 1/2W	*S-20438		Hinges - Lid Hinges (VE-43A, VE-49M)	
R-10	*S-20450	Resistor - 47 ohms, wire wound, 1/2W	*S-20437		Hinges - Lid Hinges (VA47, VE-48A)	
R-11		Resistor - 100000 ohms, 1/2W	S-20443		Knobs - Volume (VE-48A)	
T-1	*S-20448	Transformer - Output transformer	*S-20445		Knobs - Tone (VE-48A)	
SPEAKER ASSEMBLY			*S-20449		Knobs - Volume, Tone (VE-43A, VE-49M)	
	*S-20446	Speaker - 5" complete with cone & voice coil (VE49M)	*S-20436		Knobs - Volume (VA47)	
	*S-20447	Speaker - 6" complete with cone & voice coil (VE43A, VE48A)	*S-20444		Support - Lid Support (VE48A, VA47)	
MISCELLANEOUS ASSEMBLY						
	PARTS FOR MODEL VE49M					
S-20073		Arm - Tone Arm				
S-20079		Base - Tone Arm Pivot base				

APPLY TO YOUR RCA DISTRIBUTOR FOR PRICES OF REPLACEMENT PARTS