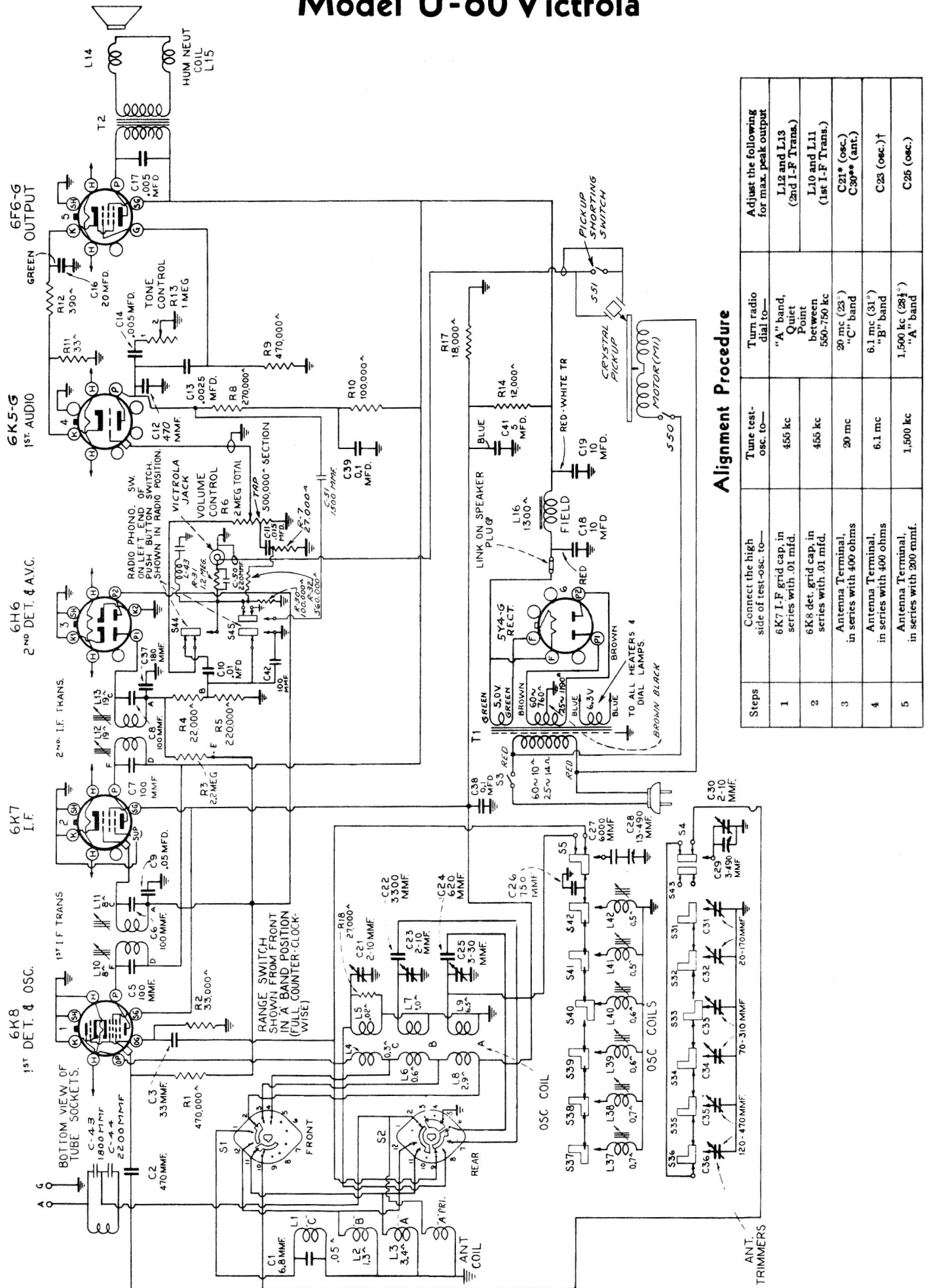


Model U-60 Victrola



Alignment Procedure

Steps	Connect the high side of test-osc. to—	Tune test-osc. to—	Turn radio dial to—	Adjust the following for max. peak output
1	6K7 I-F grid cap. in series with .01 mfd.	455 kc	"A" band, Quiet Point	L12 and L13 (2nd I-F Trans.)
2	6K8 det. grid cap. in series with .01 mfd.	455 kc	between 550-750 kc	L10 and L11 (1st I-F Trans.)
3	Antenna Terminal, in series with 400 ohms	20 mc	20 mc (23" "C" band	C21* (osc.) C30** (ant.)
4	Antenna Terminal, in series with 400 ohms	6.1 mc	6.1 mc (31" "B" band	C23 (osc.) †
5	Antenna Terminal, in series with 200 mmf.	1,500 kc	1,500 kc (28 $\frac{1}{2}$ " "A" band	C25 (osc.)