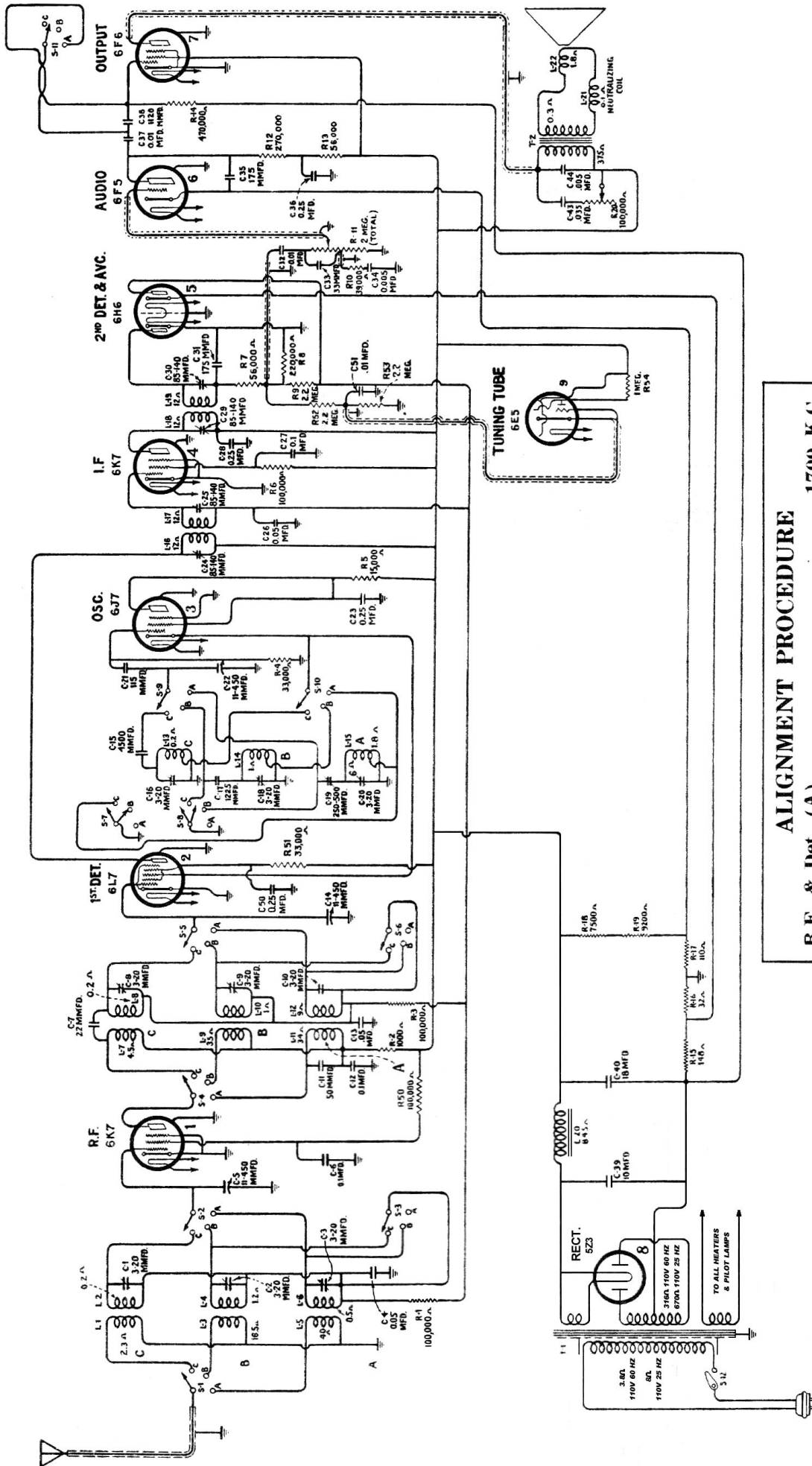


# Models T8-14, C8-15 & C8-16 A.C. Receivers



**ALIGNMENT PROCEDURE**

R.F. & Det. (A)	.....1700 K.C.
R.F. & Det. (B)	.....6,000 K.C.
R.F. & Det. (C)	.....18,000 K.C.
Oscillator (A)	.....600 K.C., 1,700 K.C.
Oscillator (B)	.....6,000 K.C.
Oscillator (C)	.....18,000 K.C.
Intermediate Frequency	.....460 K.C.

Align all stages for maximum peak.