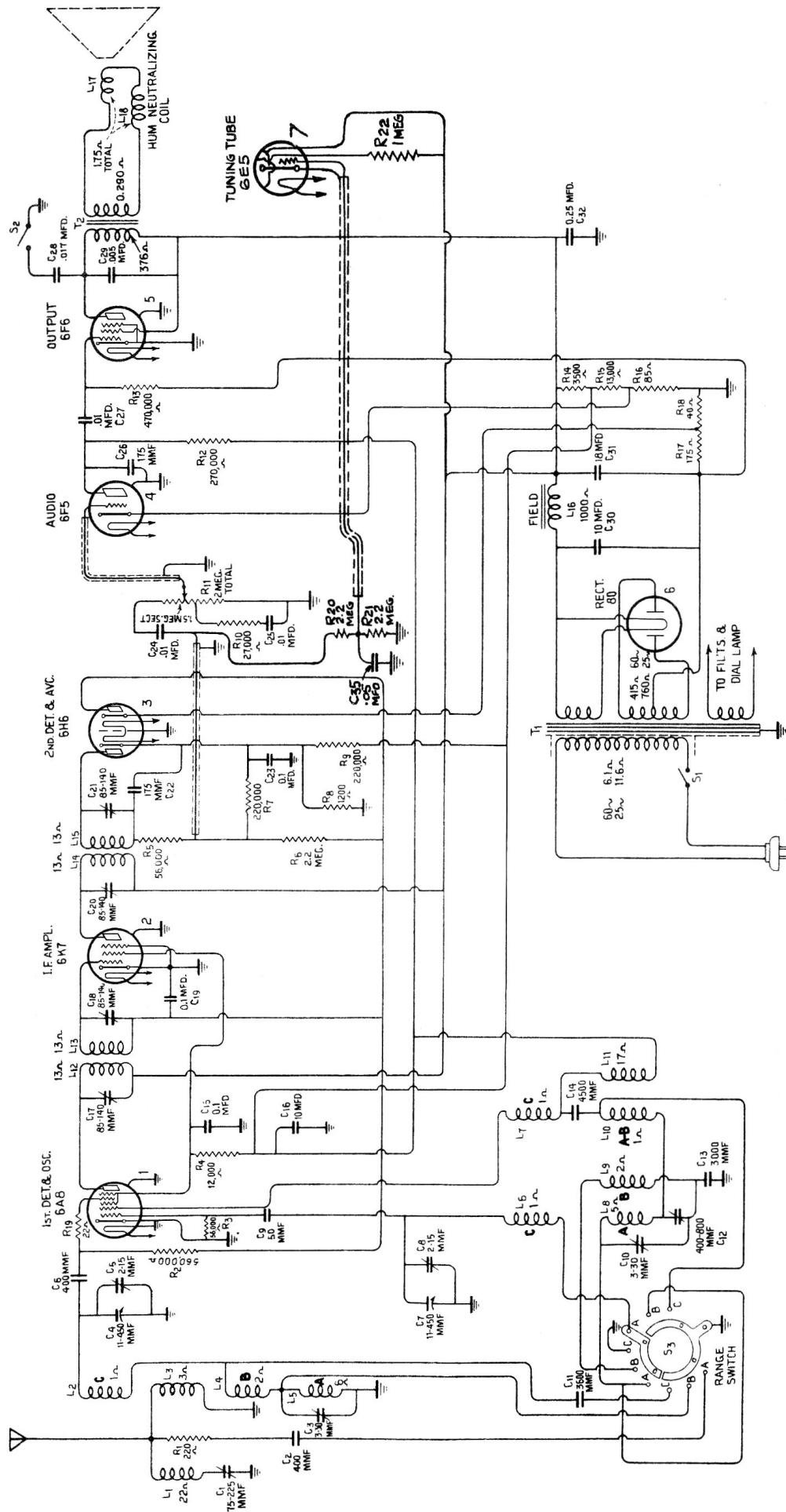


Models T6-2, C6-3 and C6-4 A.C. Receivers



ALIGNMENT PROCEDURE

R.F. & Det. (Broadcast)	1,700 K.C.
R.F. & Det. (S.W.)	18,000 K.C.
Oscillator (Broadcast)	.600 K.C.
Oscillator (S.W.)	18,000 K.C.
Intermediate Frequency	.460 K.C.

Align all R.F. stages for maximum peak.
Align I.F. stages by means of oscillograph.

On some instruments, R-8, R-9 and C-23 are omitted and the Type-6H6 first Cathode is directly grounded.