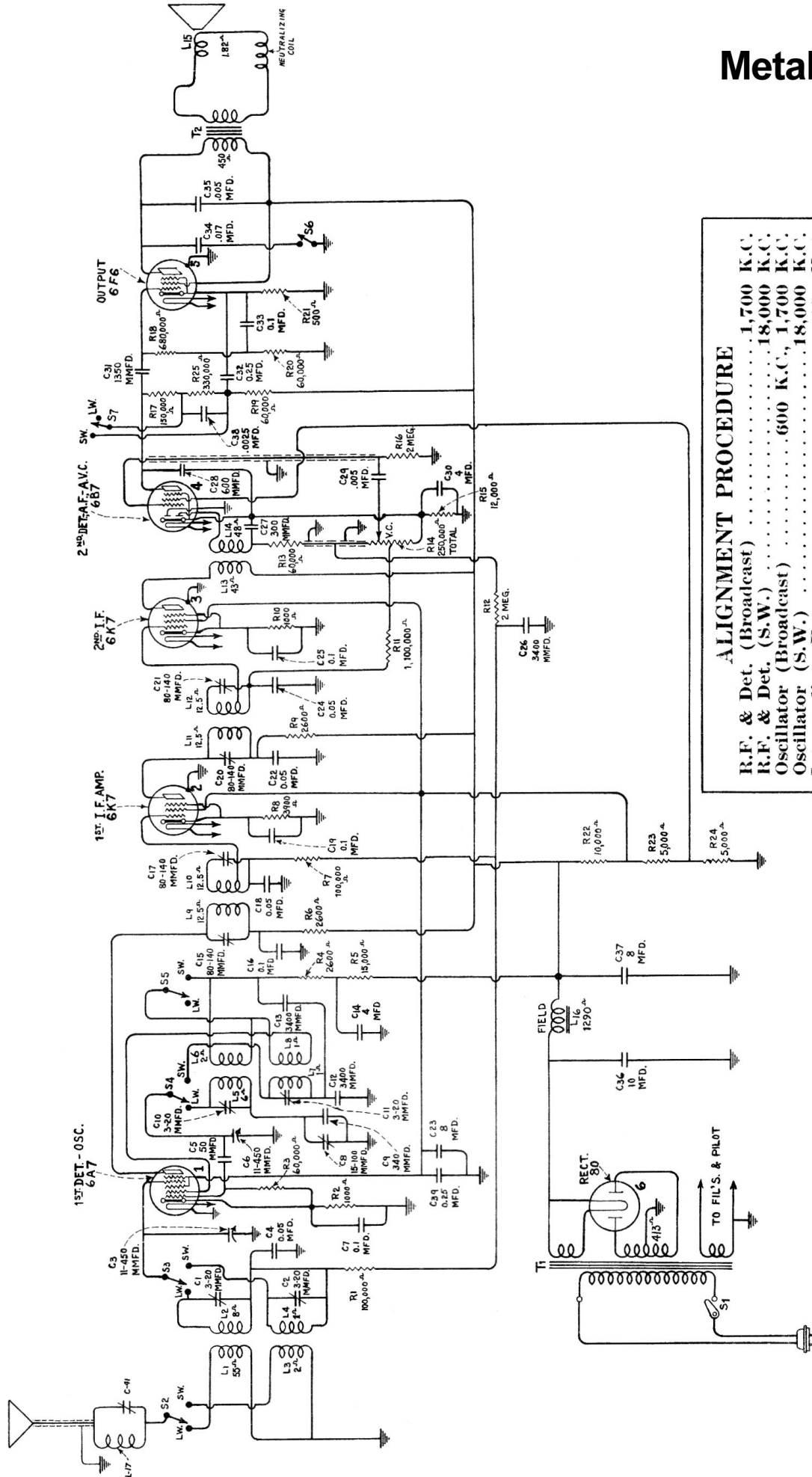




# Models T6-1 C6-1 & C6-2

## Metal Tubes



**ALIGNMENT PROCEDURE**

R.F. & Det. (Broadcast) ..... 1,700 K.C.  
 R.F. & Det. (S.W.) ..... 18,000 K.C.  
 Oscillator (Broadcast) ..... 600 K.C., 1,700 K.C.  
 Oscillator (S.W.) ..... 18,000 K.C.  
 Intermediate Frequency ..... 460 K.C.  
 Align all R.F. stages for maximum peak.  
 Align I.F. stages by means of oscillograph.

Schematic Circuit Diagram of receiver using Metal Tubes.