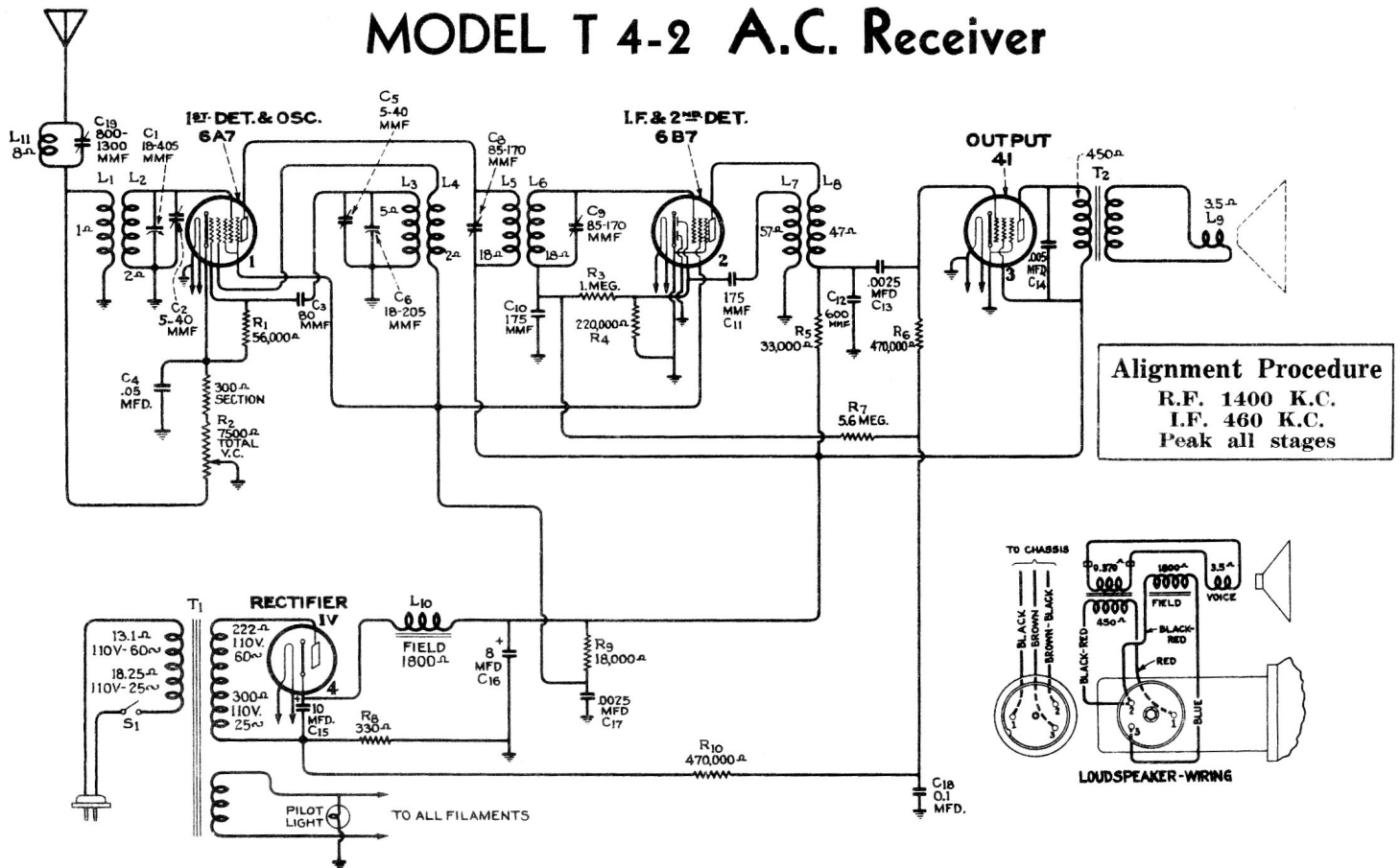


MODEL T 4-2 A.C. Receiver



REPLACEMENT PARTS

Insist on genuine factory tested parts, which are readily identified and may be purchased from authorized dealers.

Stock No.	DESCRIPTION	Stock No.	DESCRIPTION
RECEIVER ASSEMBLIES			
4244	Cap - Grid contact Cap	4794	Socket - Four contact rectifier socket.....
6956	Cap - Second detector Radiotron Shield cap.....	4785	Socket - Six contact radiotron socket.....
4246	Capacitor - 80 mmfd. (C3).....	3572	Socket - Seven contact radiotron socket.....
5116	Capacitor - 175 mmfd. (C10).....	S-1571	Socket - Dial lamp socket.....
11500	Capacitor - 175 mmfd. (C11).....	4075	Knob - Volume control knob -
S-1585	Capacitor - 600 mmfd. (C12).....	4132	Knob - Volume control knob -
3932	Capacitor - .0025 mfd. (C13, C17).....	5152	Transformer - First intermediate frequency transformer (L5, L6, C8, C9).....
4793	Capacitor - .005 mfd. (C14).....	7955	Transformer - Second intermediate frequency transformer (L7, L8).....
4836	Capacitor - .05 mfd. (C4).....	11665	Transformer - Power transformer - 105-125 Volts - 25 Cycles.....
4791	Capacitor - 0.1 mfd. (C18).....	11664	Transformer - Power transformer - 105-125 Volts - 60 Cycles (T1).....
11497	Capacitor - 8 mfd. (C16).....	11667	Trap - Wave trap (L11, C19).....
11240	Capacitor - 10 mfd. (C15).....	11663	Volume control (R2, S1).....
11661	Coil - Antenna coil (L1, L2).....	REPRODUCER ASSEMBLIES	
11662	Coil - Oscillator coil (L3, L4).....	11672	Coil - Field coil, magnet and cone support assembly (L10).....
11660	Condenser - Two gang variable tuning condenser (C1, C2, C5, C6).....	9588	Cone - Reproducer cone (L9).....
11659	Dial - Station selector dial.....	5119	Connector - Three contact female connector for reproducer cable.....
11670	Resistor - 330 ohms - carbon type - 1 Watt (R8).....	5118	Connector - Three contact male connector for reproducer.....
11671	Resistor - 18,000 ohms - carbon type - 2 watts (R9).....	9630	Reproducer - complete.....
11669	Resistor - 33,000 ohms - carbon type - 1 Watt (R5).....	4893	Transformer - Output transformer (T2).....
5029	Resistor - 56,000 ohms - carbon type - 1/4 Watt (R1).....	S-1586	Cable - reproducer Cable complete with connector.....
5158	Resistor - 220,000 ohms - carbon type - 1/4 Watt (R4).....		
11172	Resistor - 470,000 ohms - carbon type - 1/4 Watt (R6, R10).....		
3033	Resistor - 1 Megohm - Carbon type - 1/4 Watt (R3).....		
11668	Resistor - 5.6 Megohms - Carbon type - 1/4 Watt (R7).....		
11126	Shield - Oscillator coil shield.....		
3942	Shield - Second detector Radiotron shield.....		
11390	Shield - First intermediate frequency transformer shield.....		
4340	Lamp - Dial lamp.....		