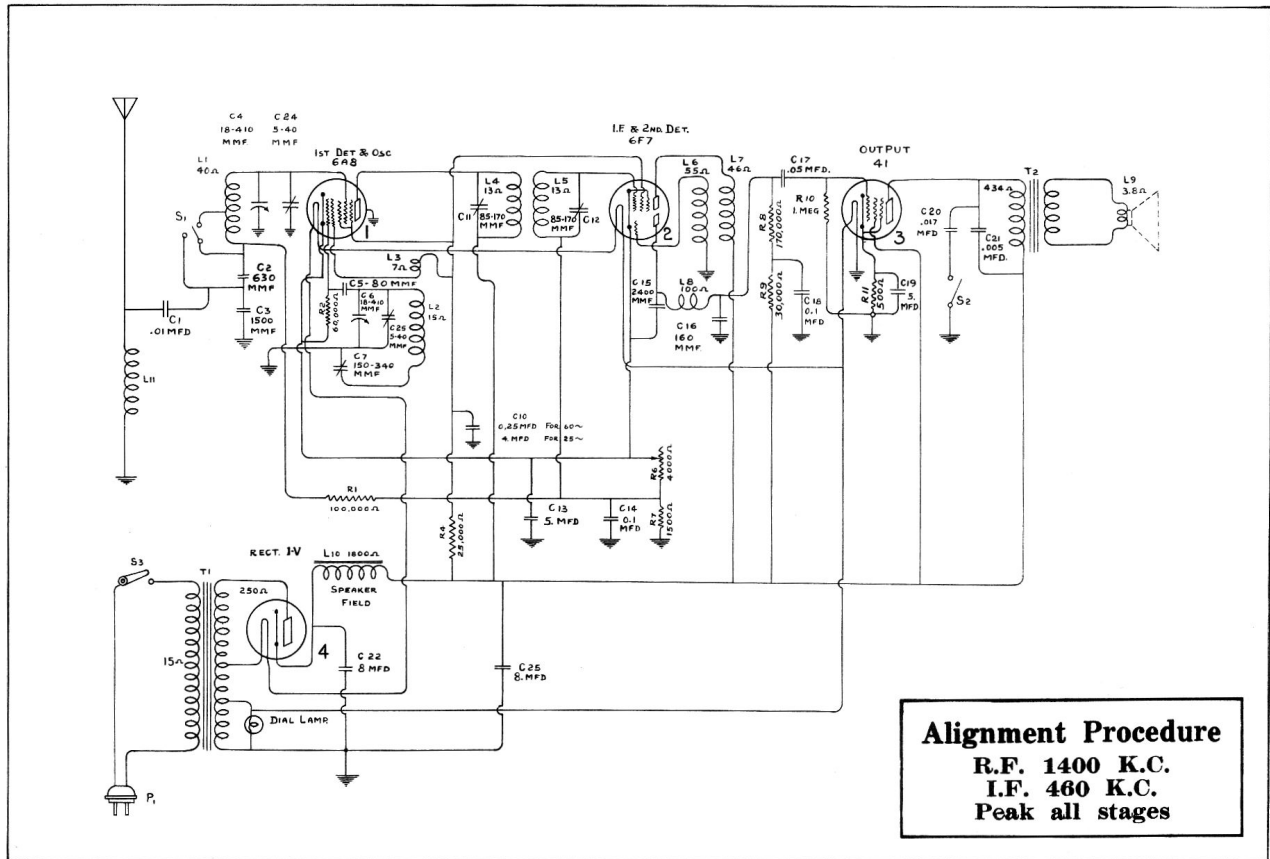


Victor Model T4-1 A.C. Receiver



Schematic Circuit Diagram

REPLACEMENT PARTS FOR MODEL T4-1

Insist on genuine factory tested parts, which are readily identified and may be purchased from authorized dealers.

STOCK NO.	DESCRIPTION	STOCK NO.	DESCRIPTION
RECEIVER ASSEMBLIES			
S-1151	Socket-6-contact tube socket.	4104	Shield-Tube shield.
S-1293	Resistor-1500 ohms-Carbon Type 1/2 Watt (R7).	4256	Pilot Lamp.
S-1354	Resistor-100,000 ohms-Carbon Type 1/4 Watt (R1).	4449	Knob-Volume control, or Range Switch, or Tone control knob.
S-1365	Resistor-1 megohm-Carbon Type 1/2 Watt (R10).	6300	Socket-4 Contact tube socket.
S-1542	Socket-6 Contact metal tube socket.	6660	Condenser-2 Gang tuning condenser.
2747	Contact Cap.	6661	Capacitor Pack-Comprising two 5.0 mfd. and two 8.0 mfd. capacitors.
3077	Resistor-30,000 ohms-Carbon Type 1/2 Watt (R9).	6662	Transformer-First intermediate frequency transformer.
3459	Capacitor-80 mmfd. (C5).	6663	Transformer-Second intermediate frequency transformer.
3572	Socket-7 Contact tube socket.	6664	Coil-Oscillator Coil.
3584	Ring-Oscillator Coil Retaining Ring.	6665	Shield-Oscillator coil shield and mounting bracket.
3602	Resistor-60,000 ohms-Carbon Type 1/2 Watt (R2).	6666	Coil-Antenna coil.
3632	Resistor-500 ohms-Carbon Type 1 Watt (R11).	6667	Volume control.
3701	Capacitor-.01 mfd. capacitor (C1).	6668	Switch-Range switch.
3713	Capacitor-.05 mfd. capacitor (C17).	6669	Switch-Tone control switch.
3857	Coil-Detector choke coil.	6787	Capacitor-Comprising one .005 mfd. and one .017 mfd. capacitor.
3858	Socket-Dial Lamp Socket and Bracket.	7641	Capacitor-4.0 mfd.
3865	Capacitor-160 mmfd. (C16).	9465	Transformer-Power Transformer 105-125 Volts 25 and 60 Cycles.
3869	Resistor-17,000 ohms-Carbon type 1/2 Watt (R8).		
3873	Capacitor-1500 mmfd. Capacitor (C3).		
3877	Capacitor-0.1 mfd. capacitor (C14).		
3886	Reflector-Dial light reflector.		
3887	Dial-Station selector dial.		
3889	Resistor-25,000 ohm-Carbon Type 3 Watt (R4).		
3932	Capacitor-2,400 mmfd. (C15).	S-1473	Transformer-Output Transformer.
3933	Capacitor-630 mmfd. (C2).	9588	Cone-Reproducer cone.
4000	Capacitor-Adjustable capacitor. (C7).	S-1472	Coil Assembly-Comprising field coil, magnet and cone support, less output transformer.
4018	Coil-Choke coil (L-11).	S-1541	Reproducer-Complete.
4075	Knob-Station selector knob.		
			REPRODUCER ASSEMBLIES