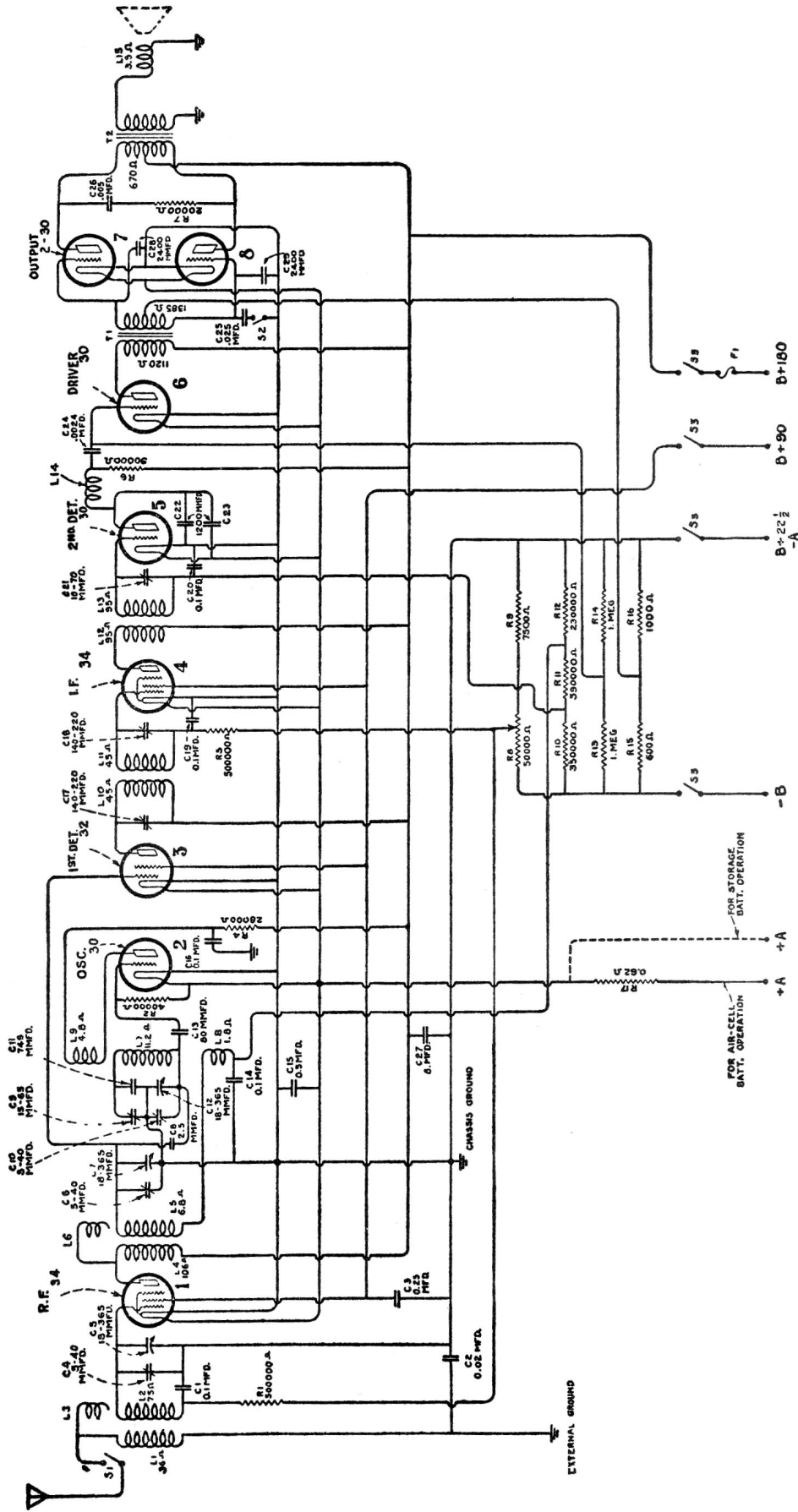


# Models R-87 & R-88 Battery Receivers



Schematic Circuit Diagram

## ALIGNMENT PROCEDURE

- R.F. & Det. Stages . . . . .1400 K.C.
  - Oscillator Stage . . . . .600 K.C., 1400 K.C.
  - Intermediate Frequency . . . . .175 K.C.
- Align all stages for maximum peak.