

# Model R-7, R-8 & R-9 A.C. Receiver

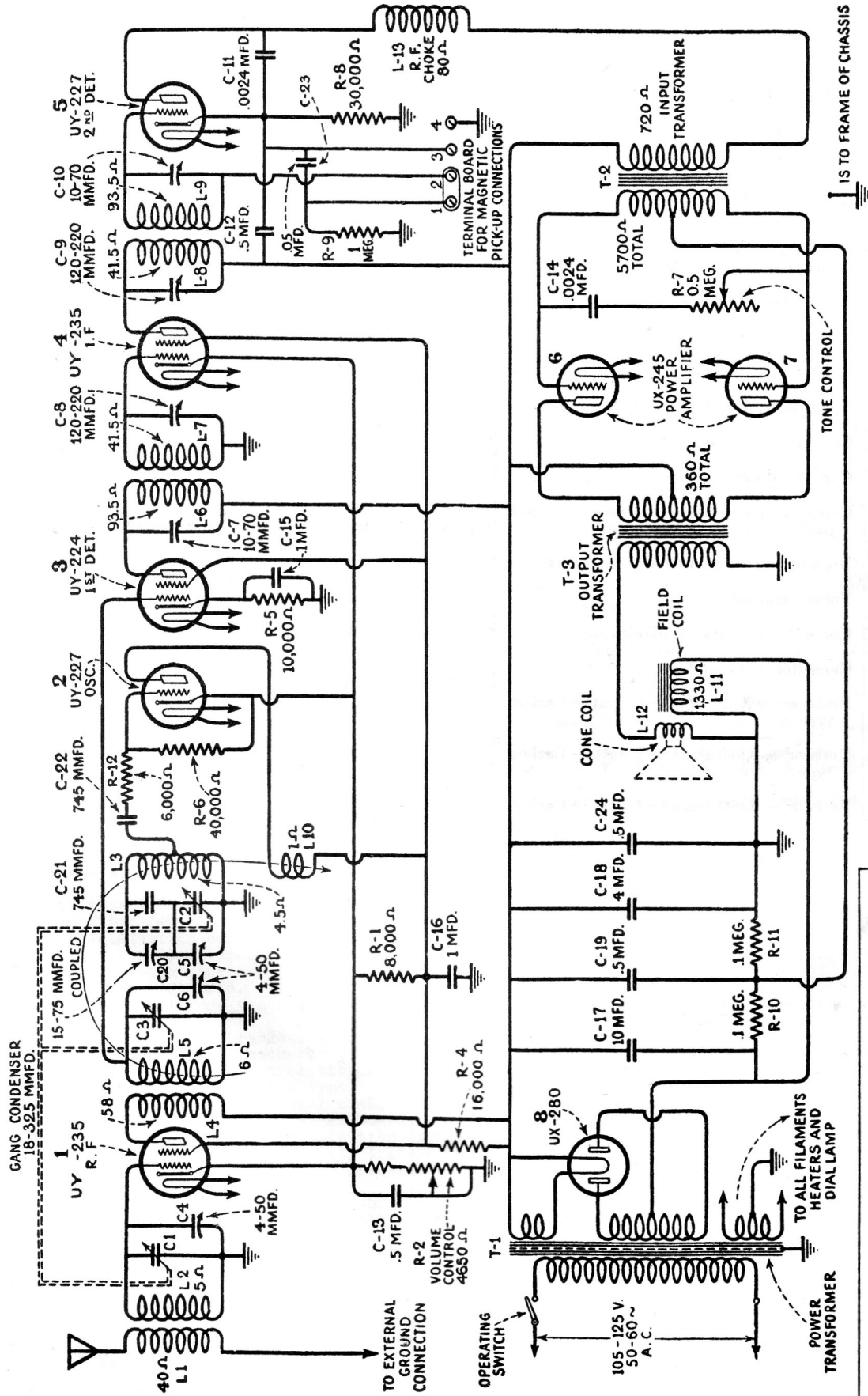


Figure 2—Schematic Wiring Diagram

**ALIGNMENT PROCEDURE**

R.F. & Det. Stages	.....1400 K.C.
Oscillator Stage	.....600 K.C., 1400 K.C.
Intermediate Frequency	.....175 K.C.

Align all stages for maximum peak.