

Models R-7A R-8A R-9A A.C. Receiver

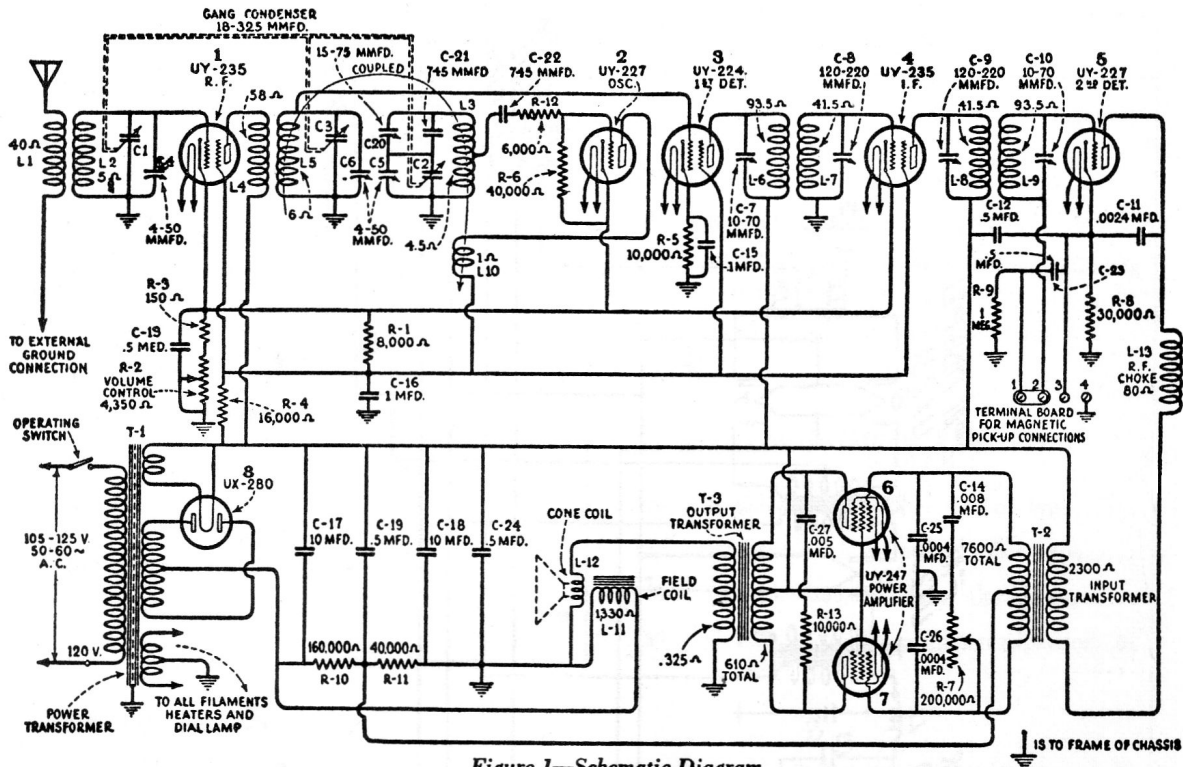


Figure 1—Schematic Diagram

ALIGNMENT PROCEDURE

R.F. & Det. Stages 1400 K.C.
 Oscillator Stage 600 K.C., 1400 K.C.
 Intermediate Frequency 175 K.C.
 Align all stages for maximum peak.

REPLACEMENT PARTS FOR MODELS R-7A, R-8A & R-9A

Insist on genuine factory tested parts, which are readily identified and may be purchased from authorized dealers.

STOCK NO.	DESCRIPTION	STOCK NO.	DESCRIPTION
2563	Resistor-6,000 ohms-Carbon type.	3020	Escutcheon-Station selector escutcheon complete with 4 mounting screws.
2734	Capacitor-745 mmfd.	3056	Shield-Radiotron shield.
2745	Screw-Adjusting condenser screw.	3060	Resistor-40,000 ohm-carbon type.
2746	Socket-Dial lamp socket.	3062	Board-Loudspeaker terminal board.
2747	Cap-Grid connector cap.	3076	Resistor-1 megohm-Carbon type.
2749	Capacitor-2400 mmfd.	3077	Resistor-30,000 ohm-Carbon type.
2875	Knob-Tuning, volume control or tone control knob.	3078	Resistor-10,000 ohm-Carbon type.
2881	Bracket-Dial lamp bracket.	3079	Resistor-40,000 ohm-Carbon type.
2882	Socket-UY Radiotron socket.	3080	Resistor-160,000 ohm-Carbon type.
2957	Capacitor-10 mfd. electrolytic capacitor.	3081	Resistor-16,000 ohm-Carbon type.
2963	Resistor-8,000 ohm carbon type.	3083	Tone control and switch-Tone control and operating switch-Complete less knob.
2968	Socket-UX Radiotron socket-1 used.	3084	Capacitor-0.008 mfd.-For tone control.
2973	Board-Magnetic pickup terminal board.	3085	Capacitor-400 mfd.
2991	Transformer-First intermediate transformer.	7054	Cord-Power cord.
2992	Transformer-Second intermediate transformer.	7062	Capacitor-Adjustable oscillator trimmer capacitor.
2994	Coil-Second detector plate coil complete with mounting rivet.	7241	Capacitor-3 gang tuning capacitor.
2995	Volume control-Complete less knob.	7255	Transformer-Interstage audio transformer.
2997	Coil-R.F. coil-Complete with mounting-washers and nuts.	7256	Capacitor pack-By-pass capacitor pack.
2998	Coil-Detector and oscillator coil-Complete with mounting washers and nuts.	8559	Ring-Cone retaining ring.
2999	Drive shaft-Dial drive shaft with mounting screws and washers.	8570	Shield-Intermediate transformer shield.
3000	Scale-Dial scale and drum with set screws.	8601	Cone-Cone with voice coil.
3003	Cushion-Sponge rubber chassis support cushions.	8653	Coil-Speaker field coil, core and cone support.
3005	Screw assembly-Speaker mounting screw assembly-Comprising one set of 4 screws, 4 eyelets, 4 nuts and 4 washers.	8679	Transformer-Power transformer-105-125 volt, 50-60 cycle.
		8680	Transformer-Power transformer-105-125 volt, 25-40 cycle.