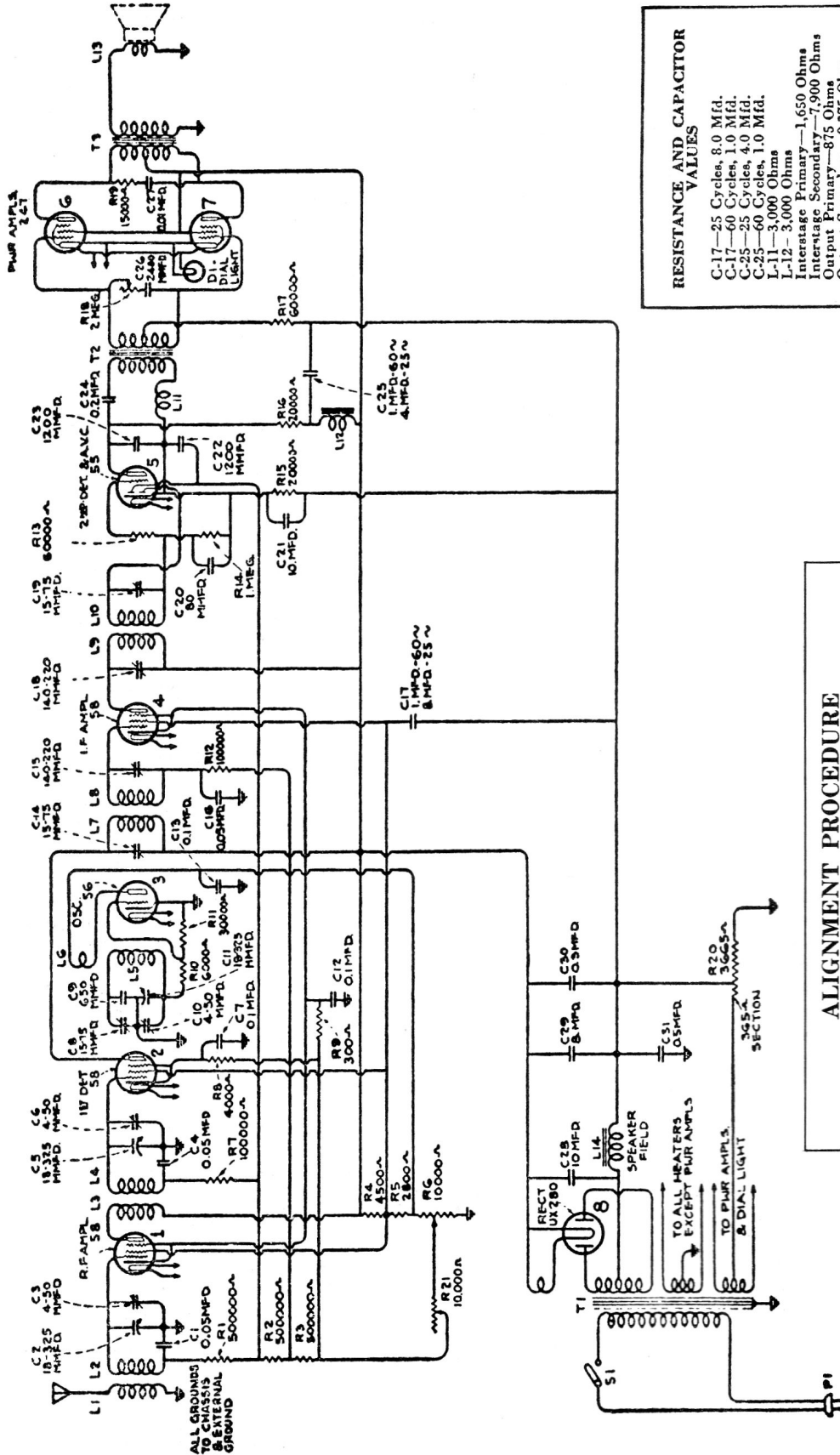


Model R-53 A.C. Receivers



RESISTANCE AND CAPACITOR VALUES

- C-17—25 Cycles, 8.0 Mfd.
- C-17—60 Cycles, 1.0 Mfd.
- C-25—25 Cycles, 4.0 Mfd.
- C-25—60 Cycles, 1.0 Mfd.
- L-11—3,000 Ohms
- L-12—3,000 Ohms
- Interstage Primary—1,650 Ohms
- Interstage Secondary—7,900 Ohms
- Output Primary—875 Ohms
- Output Secondary—0.375 Ohm
- Power High Voltage—60 Cycles, 375 Ohms
- 25 Cycles, 500 Ohms
- Field—1,300 Ohms

ALIGNMENT PROCEDURE

- R.F. & Det. Stages 1400 K.C.
- Oscillator Stage 1400 K.C.
- Intermediate Frequency 600 K.C., 1400 K.C.
- Align all stages for maximum peak.