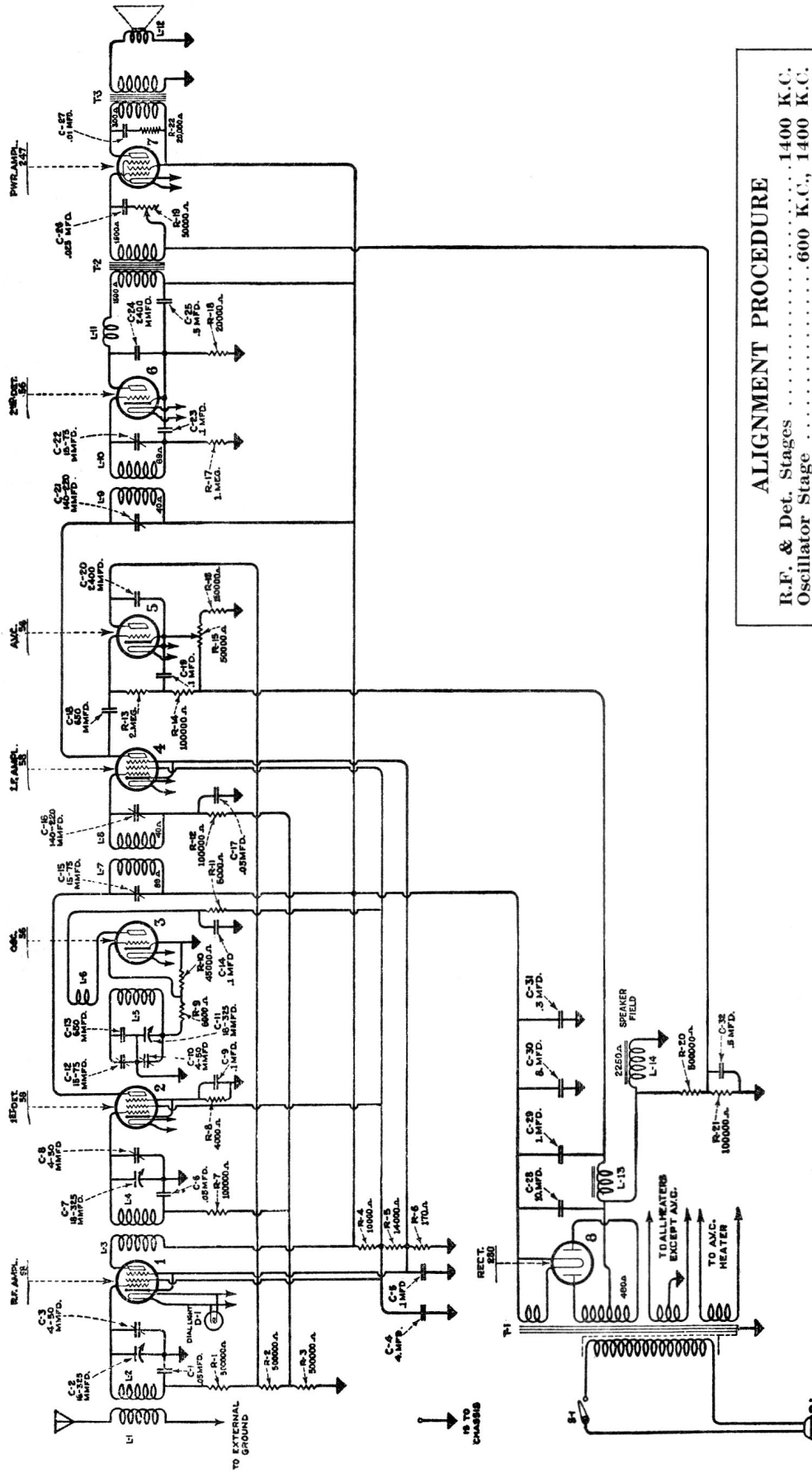


Models R-50 & R-52 A.C. Receiver



ALIGNMENT PROCEDURE

R.F. & Det. Stages 1400 K.C.
 Oscillator Stage 600 K.C., 1400 K.C.
 Intermediate Frequency 175 K.C.
 Align all stages for maximum peak.

Schematic Circuit Diagram

NOTE: For 25 cycle operation, C-29 is a 4. Mfd. capacitor.