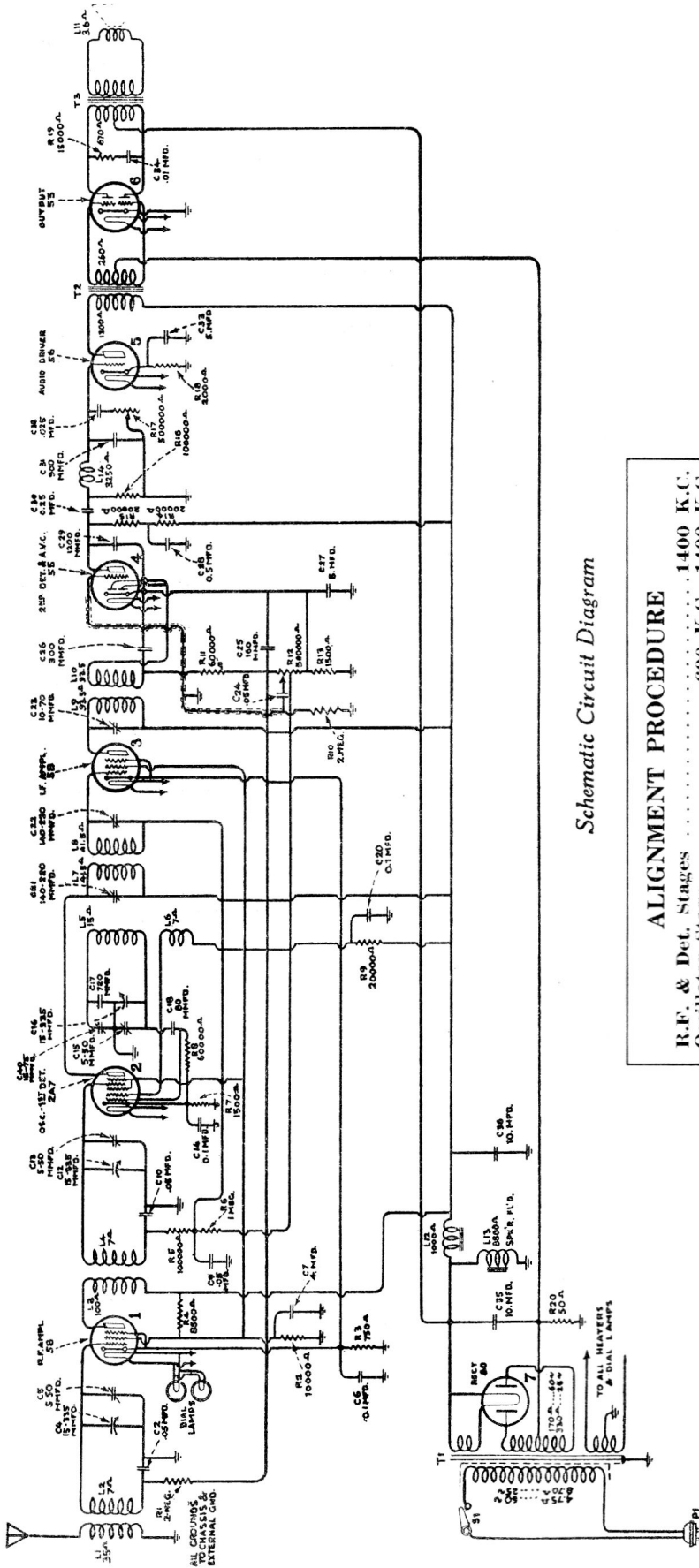


Model R-49 A.C. Receiver



Schematic Circuit Diagram

ALIGNMENT PROCEDURE	
R.F. & Det. Stages	1400 K.C.
Oscillator Stage	1400 K.C.
Intermediate Frequency	455 K.C.
Align all stages for maximum peak.	