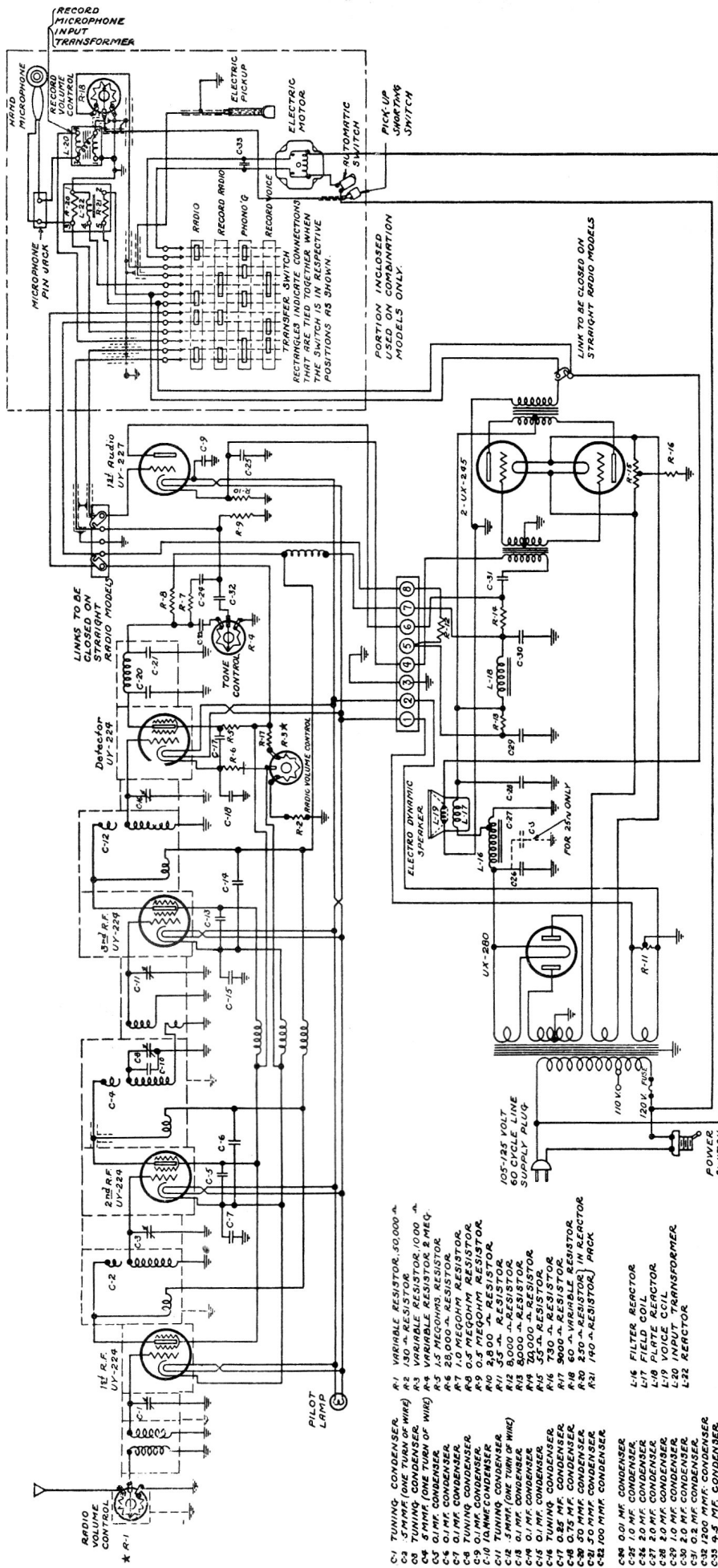


# Models R-35, R-39 & RE-57 A.C. Receiver



NOTE—Broken lines along wires indicate grounded shielding.

**ALIGNMENT PROCEDURE**  
 R.F. stages to be peaked  
 (1) 600 K.C. (3) 1000 K.C.  
 (2) 800 K.C. (4) 1250 K.C.  
 (5) 1500 K.C.

- C1 TUNING CONDENSER
- C2 200 P.F. CONDENSER
- C3 50 P.F. CONDENSER
- C4 5 M.M.F. (ONE TURN OF WIRE)
- C5 0.1 M.F. CONDENSER
- C6 0.1 M.F. CONDENSER
- C7 0.1 M.F. CONDENSER
- C8 TUNING CONDENSER
- C9 0.1 M.F. CONDENSER
- C10 TUNING CONDENSER
- C11 TUNING CONDENSER
- C12 0.1 M.F. CONDENSER
- C13 0.1 M.F. CONDENSER
- C14 0.1 M.F. CONDENSER
- C15 0.1 M.F. CONDENSER
- C16 TUNING CONDENSER
- C17 0.1 M.F. CONDENSER
- C18 0.1 M.F. CONDENSER
- C19 0.1 M.F. CONDENSER
- C20 0.1 M.F. CONDENSER
- C21 0.1 M.F. CONDENSER
- C22 0.1 M.F. CONDENSER
- C23 0.1 M.F. CONDENSER
- C24 0.1 M.F. CONDENSER
- C25 0.1 M.F. CONDENSER
- C26 0.1 M.F. CONDENSER
- C27 0.1 M.F. CONDENSER
- C28 0.1 M.F. CONDENSER
- C29 0.1 M.F. CONDENSER
- C30 0.1 M.F. CONDENSER
- C31 0.1 M.F. CONDENSER
- C32 0.1 M.F. CONDENSER
- C33 0.1 M.F. CONDENSER
- C34 0.1 M.F. CONDENSER
- C35 0.1 M.F. CONDENSER
- C36 0.1 M.F. CONDENSER
- C37 0.1 M.F. CONDENSER
- C38 0.1 M.F. CONDENSER
- C39 0.1 M.F. CONDENSER
- C40 0.1 M.F. CONDENSER
- C41 0.1 M.F. CONDENSER
- C42 0.1 M.F. CONDENSER
- C43 0.1 M.F. CONDENSER
- C44 0.1 M.F. CONDENSER
- C45 0.1 M.F. CONDENSER
- C46 0.1 M.F. CONDENSER
- C47 0.1 M.F. CONDENSER
- C48 0.1 M.F. CONDENSER
- C49 0.1 M.F. CONDENSER
- C50 0.1 M.F. CONDENSER
- C51 0.1 M.F. CONDENSER
- C52 0.1 M.F. CONDENSER
- C53 0.1 M.F. CONDENSER
- C54 0.1 M.F. CONDENSER
- C55 0.1 M.F. CONDENSER
- C56 0.1 M.F. CONDENSER
- C57 0.1 M.F. CONDENSER
- C58 0.1 M.F. CONDENSER
- C59 0.1 M.F. CONDENSER
- C60 0.1 M.F. CONDENSER
- C61 0.1 M.F. CONDENSER
- C62 0.1 M.F. CONDENSER
- C63 0.1 M.F. CONDENSER
- C64 0.1 M.F. CONDENSER
- C65 0.1 M.F. CONDENSER
- C66 0.1 M.F. CONDENSER
- C67 0.1 M.F. CONDENSER
- C68 0.1 M.F. CONDENSER
- C69 0.1 M.F. CONDENSER
- C70 0.1 M.F. CONDENSER
- C71 0.1 M.F. CONDENSER
- C72 0.1 M.F. CONDENSER
- C73 0.1 M.F. CONDENSER
- C74 0.1 M.F. CONDENSER
- C75 0.1 M.F. CONDENSER
- C76 0.1 M.F. CONDENSER
- C77 0.1 M.F. CONDENSER
- C78 0.1 M.F. CONDENSER
- C79 0.1 M.F. CONDENSER
- C80 0.1 M.F. CONDENSER
- C81 0.1 M.F. CONDENSER
- C82 0.1 M.F. CONDENSER
- C83 0.1 M.F. CONDENSER
- C84 0.1 M.F. CONDENSER
- C85 0.1 M.F. CONDENSER
- C86 0.1 M.F. CONDENSER
- C87 0.1 M.F. CONDENSER
- C88 0.1 M.F. CONDENSER
- C89 0.1 M.F. CONDENSER
- C90 0.1 M.F. CONDENSER
- C91 0.1 M.F. CONDENSER
- C92 0.1 M.F. CONDENSER
- C93 0.1 M.F. CONDENSER
- C94 0.1 M.F. CONDENSER
- C95 0.1 M.F. CONDENSER
- C96 0.1 M.F. CONDENSER
- C97 0.1 M.F. CONDENSER
- C98 0.1 M.F. CONDENSER
- C99 0.1 M.F. CONDENSER
- C100 0.1 M.F. CONDENSER
- R1 VARIABLE RESISTOR, 50,000 Ω
- R2 30 Ω RESISTOR
- R3 10 Ω RESISTOR
- R4 VARIABLE RESISTOR, 10,000 Ω
- R5 10 Ω RESISTOR
- R6 10 Ω RESISTOR
- R7 10 Ω RESISTOR
- R8 10 Ω RESISTOR
- R9 10 Ω RESISTOR
- R10 10 Ω RESISTOR
- R11 10 Ω RESISTOR
- R12 10 Ω RESISTOR
- R13 10 Ω RESISTOR
- R14 10 Ω RESISTOR
- R15 10 Ω RESISTOR
- R16 10 Ω RESISTOR
- R17 10 Ω RESISTOR
- R18 10 Ω RESISTOR
- R19 10 Ω RESISTOR
- R20 10 Ω RESISTOR
- R21 10 Ω RESISTOR
- R22 10 Ω RESISTOR
- R23 10 Ω RESISTOR
- R24 10 Ω RESISTOR
- R25 10 Ω RESISTOR
- R26 10 Ω RESISTOR
- R27 10 Ω RESISTOR
- R28 10 Ω RESISTOR
- R29 10 Ω RESISTOR
- R30 10 Ω RESISTOR
- R31 10 Ω RESISTOR
- R32 10 Ω RESISTOR
- R33 10 Ω RESISTOR
- R34 10 Ω RESISTOR
- R35 10 Ω RESISTOR
- R36 10 Ω RESISTOR
- R37 10 Ω RESISTOR
- R38 10 Ω RESISTOR
- R39 10 Ω RESISTOR
- R40 10 Ω RESISTOR
- R41 10 Ω RESISTOR
- R42 10 Ω RESISTOR
- R43 10 Ω RESISTOR
- R44 10 Ω RESISTOR
- R45 10 Ω RESISTOR
- R46 10 Ω RESISTOR
- R47 10 Ω RESISTOR
- R48 10 Ω RESISTOR
- R49 10 Ω RESISTOR
- R50 10 Ω RESISTOR
- R51 10 Ω RESISTOR
- R52 10 Ω RESISTOR
- R53 10 Ω RESISTOR
- R54 10 Ω RESISTOR
- R55 10 Ω RESISTOR
- R56 10 Ω RESISTOR
- R57 10 Ω RESISTOR
- R58 10 Ω RESISTOR
- R59 10 Ω RESISTOR
- R60 10 Ω RESISTOR
- R61 10 Ω RESISTOR
- R62 10 Ω RESISTOR
- R63 10 Ω RESISTOR
- R64 10 Ω RESISTOR
- R65 10 Ω RESISTOR
- R66 10 Ω RESISTOR
- R67 10 Ω RESISTOR
- R68 10 Ω RESISTOR
- R69 10 Ω RESISTOR
- R70 10 Ω RESISTOR
- R71 10 Ω RESISTOR
- R72 10 Ω RESISTOR
- R73 10 Ω RESISTOR
- R74 10 Ω RESISTOR
- R75 10 Ω RESISTOR
- R76 10 Ω RESISTOR
- R77 10 Ω RESISTOR
- R78 10 Ω RESISTOR
- R79 10 Ω RESISTOR
- R80 10 Ω RESISTOR
- R81 10 Ω RESISTOR
- R82 10 Ω RESISTOR
- R83 10 Ω RESISTOR
- R84 10 Ω RESISTOR
- R85 10 Ω RESISTOR
- R86 10 Ω RESISTOR
- R87 10 Ω RESISTOR
- R88 10 Ω RESISTOR
- R89 10 Ω RESISTOR
- R90 10 Ω RESISTOR
- R91 10 Ω RESISTOR
- R92 10 Ω RESISTOR
- R93 10 Ω RESISTOR
- R94 10 Ω RESISTOR
- R95 10 Ω RESISTOR
- R96 10 Ω RESISTOR
- R97 10 Ω RESISTOR
- R98 10 Ω RESISTOR
- R99 10 Ω RESISTOR
- R100 10 Ω RESISTOR
- L1 100 Ω FIELD COIL
- L2 100 Ω FIELD COIL
- L3 100 Ω FIELD COIL
- L4 100 Ω FIELD COIL
- L5 100 Ω FIELD COIL
- L6 100 Ω FIELD COIL
- L7 100 Ω FIELD COIL
- L8 100 Ω FIELD COIL
- L9 100 Ω FIELD COIL
- L10 100 Ω FIELD COIL
- L11 100 Ω FIELD COIL
- L12 100 Ω FIELD COIL
- L13 100 Ω FIELD COIL
- L14 100 Ω FIELD COIL
- L15 100 Ω FIELD COIL
- L16 100 Ω FIELD COIL
- L17 100 Ω FIELD COIL
- L18 100 Ω FIELD COIL
- L19 100 Ω FIELD COIL
- L20 100 Ω FIELD COIL
- L21 100 Ω FIELD COIL
- L22 100 Ω FIELD COIL
- L23 100 Ω FIELD COIL
- L24 100 Ω FIELD COIL
- L25 100 Ω FIELD COIL
- L26 100 Ω FIELD COIL
- L27 100 Ω FIELD COIL
- L28 100 Ω FIELD COIL
- L29 100 Ω FIELD COIL
- L30 100 Ω FIELD COIL
- L31 100 Ω FIELD COIL
- L32 100 Ω FIELD COIL
- L33 100 Ω FIELD COIL
- L34 100 Ω FIELD COIL
- L35 100 Ω FIELD COIL
- L36 100 Ω FIELD COIL
- L37 100 Ω FIELD COIL
- L38 100 Ω FIELD COIL
- L39 100 Ω FIELD COIL
- L40 100 Ω FIELD COIL
- L41 100 Ω FIELD COIL
- L42 100 Ω FIELD COIL
- L43 100 Ω FIELD COIL
- L44 100 Ω FIELD COIL
- L45 100 Ω FIELD COIL
- L46 100 Ω FIELD COIL
- L47 100 Ω FIELD COIL
- L48 100 Ω FIELD COIL
- L49 100 Ω FIELD COIL
- L50 100 Ω FIELD COIL
- L51 100 Ω FIELD COIL
- L52 100 Ω FIELD COIL
- L53 100 Ω FIELD COIL
- L54 100 Ω FIELD COIL
- L55 100 Ω FIELD COIL
- L56 100 Ω FIELD COIL
- L57 100 Ω FIELD COIL
- L58 100 Ω FIELD COIL
- L59 100 Ω FIELD COIL
- L60 100 Ω FIELD COIL
- L61 100 Ω FIELD COIL
- L62 100 Ω FIELD COIL
- L63 100 Ω FIELD COIL
- L64 100 Ω FIELD COIL
- L65 100 Ω FIELD COIL
- L66 100 Ω FIELD COIL
- L67 100 Ω FIELD COIL
- L68 100 Ω FIELD COIL
- L69 100 Ω FIELD COIL
- L70 100 Ω FIELD COIL
- L71 100 Ω FIELD COIL
- L72 100 Ω FIELD COIL
- L73 100 Ω FIELD COIL
- L74 100 Ω FIELD COIL
- L75 100 Ω FIELD COIL
- L76 100 Ω FIELD COIL
- L77 100 Ω FIELD COIL
- L78 100 Ω FIELD COIL
- L79 100 Ω FIELD COIL
- L80 100 Ω FIELD COIL
- L81 100 Ω FIELD COIL
- L82 100 Ω FIELD COIL
- L83 100 Ω FIELD COIL
- L84 100 Ω FIELD COIL
- L85 100 Ω FIELD COIL
- L86 100 Ω FIELD COIL
- L87 100 Ω FIELD COIL
- L88 100 Ω FIELD COIL
- L89 100 Ω FIELD COIL
- L90 100 Ω FIELD COIL
- L91 100 Ω FIELD COIL
- L92 100 Ω FIELD COIL
- L93 100 Ω FIELD COIL
- L94 100 Ω FIELD COIL
- L95 100 Ω FIELD COIL
- L96 100 Ω FIELD COIL
- L97 100 Ω FIELD COIL
- L98 100 Ω FIELD COIL
- L99 100 Ω FIELD COIL
- L100 100 Ω FIELD COIL

\* R1 AND R3 ARE DUAL TYPE, BOTH OPERATED BY THE SAME AXIAL