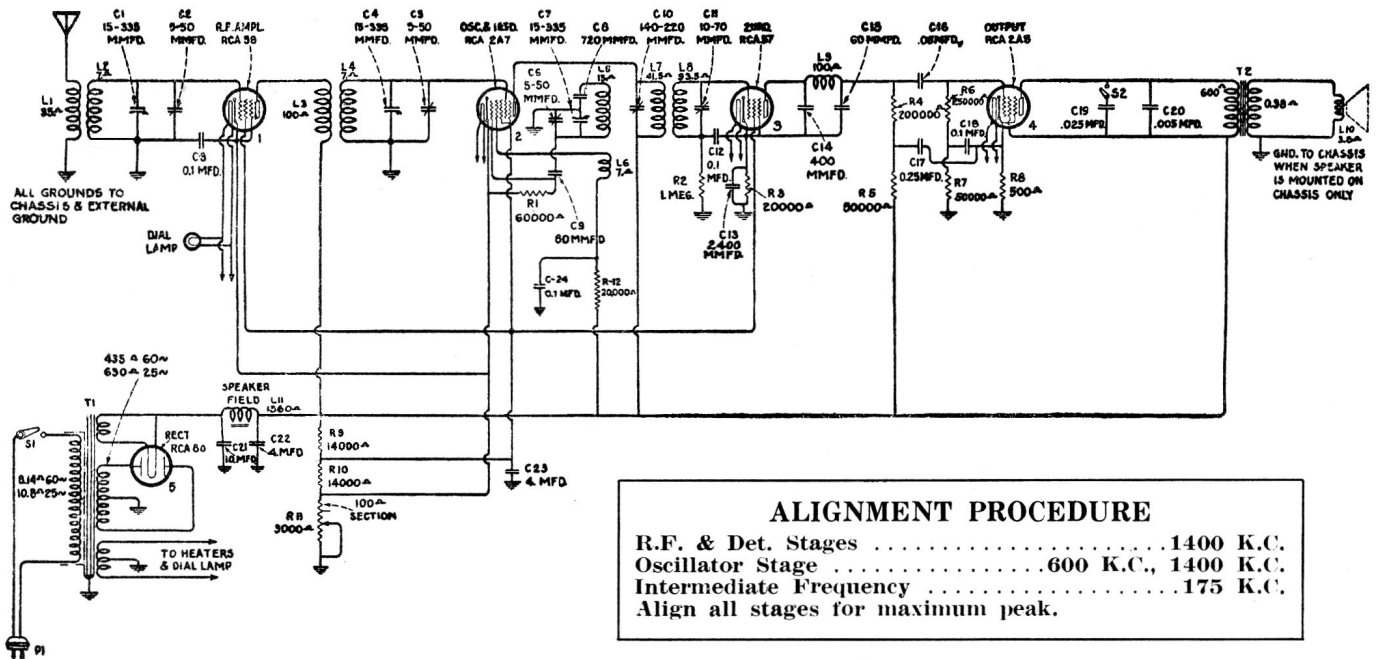


Model R-28 A.C. Receiver



REPLACEMENT PARTS FOR MODEL VICTOR R-28

Insist on genuine factory tested parts, which are readily identified and may be purchased from authorized dealers.

STOCK NO.	DESCRIPTION	STOCK NO.	DESCRIPTION
RECEIVER ASSEMBLIES			
2747	Contact cap.	6303	Resistor-20,000 ohms-Carbon type-1/2 watt (R3,R12).
3050	Resistor-14,000 ohms-Carbon type-3 watts(R9).	6306	Resistor-14,000 ohms-Carbon type-1 watt (R10).
3456	Capacitor-0.05 mfd. (C16).	S-1309	Knob-Tone Switch knob.
3459	Capacitor-80 mmfd. (C9).	6464	Transformer-I.F. transformer.
3472	Capacitor-2400 mmfd. Rolled type (C13).	6465	Volume control-Complete with mounting nut (R11).
3514	Resistor-250,000 ohms-Carbon type-1/2 watt (R6).	6466	Switch-Tone control switch (S2).
S-1308	Capacitor-0.1 mfd. (C24).	6470	Coil-Antenna coil.
3572	Socket-Radiotron 7 contact socket.	6471	Coil-Oscillator coil assembly.
3573	Socket-Radiotron 4 contact socket.	6472	Coil-R.F. coil assembly.
3574	Coil-Choke coil. (L9).	6473	Scale-Dial scale assembly.
3575	Socket-Dial lamp socket and bracket.	S-1151	Socket-Radiotron 6 contact socket.
3584	Ring-R.F. or oscillator coil retaining ring.	S-1140	Shield-Radiotron tube shield.
3590	Escutcheon-Station selector escutcheon.	7588	Condenser-3 gang variable tuning condenser.
3591	Escutcheon-Name plate escutcheon.	S-1362	Capacitor-Filter capacitor-Two 4.0 mfd. in container (C22,C23).
3592	Knob-Station selector or volume control knob.	7590	Capacitor-10 mfd. (C21).
3593	Screw-Chassis mounting screw.	S-1352	Transformer-Power transformer-105-120 volts-50-60 cycles (T1).
3594	Resistor-50,000 ohms-Carbon type-1/2 watt (R5,R7).	9002	Transformer-Power transformer-105-125 volts-25-50 cycles (T1).
3596	Capacitor-60 mmfd. (C15).	REPRODUCER ASSEMBLIES	
3597	Capacitor-0.25 mfd. (C17).	6467	Transformer-Output transformer.
3598	Capacitor-0.1 mfd. (C18).	8987	Cone-Reproducer cone.
3602	Resistor-60,000 ohms-Carbon type-1/4 watt(R1).	8988	Coil assembly-Comprising field coil, magnet and cone support.
3632	Resistor-500 ohms-Carbon type-1 watt (R8).		
3604	Capacitor-400 mmfd. (C14).		
S-1311	Capacitor-720 mmfd. (C8).		
3606	Capacitor-Comprising one 0.005 mfd. and one 0.25 mfd. capacitors. (C19,C20).		
S-1280	Resistor-200,000 ohms-Carbon type-1/2 watt (R4).		