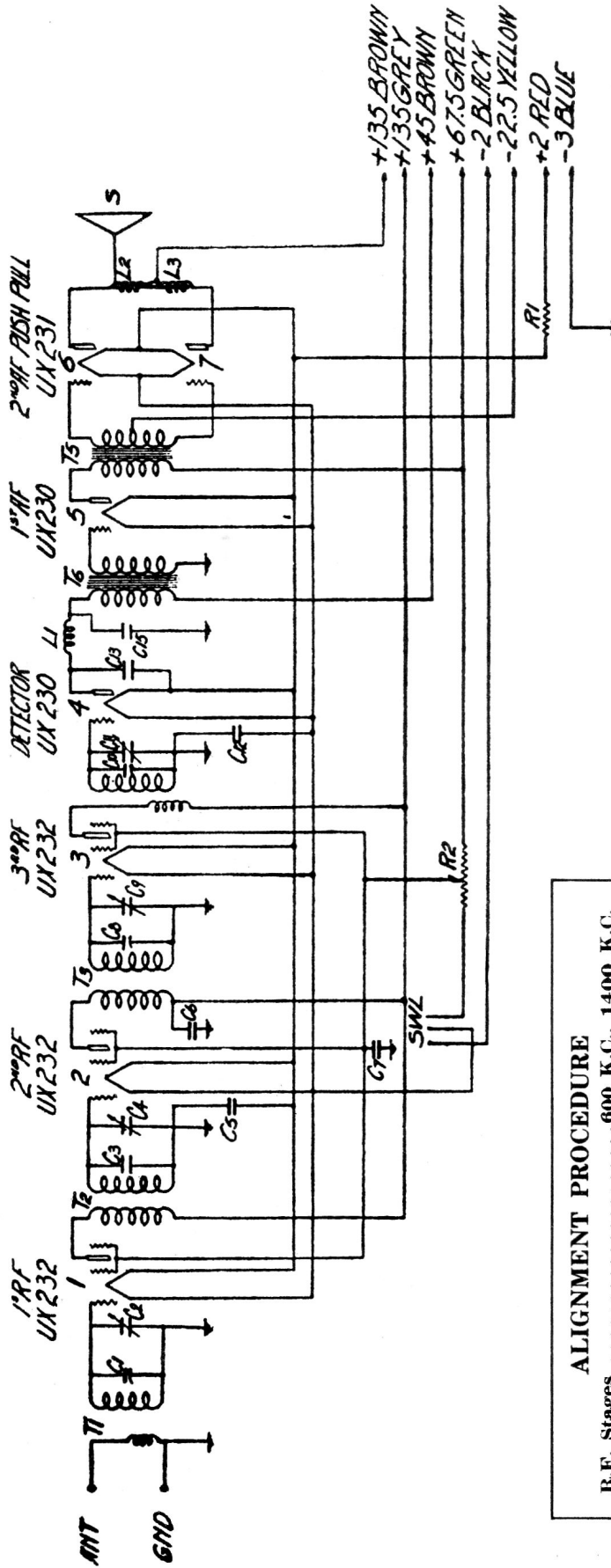


Model R-10 Battery Receiver



ALIGNMENT PROCEDURE
 R.F. Stages 600 K.C., 1400 K.C.
 Rock gang back and forth through resonant point while aligning.

REPLACEMENT PARTS — Model R-10

Insist on genuine factory tested parts, which are readily identified and may be purchased from authorized dealers.

Stock No.	DESCRIPTION	Stock No.	DESCRIPTION
	RECEIVER ASSEMBLIES		
190	Socket—4 Contact socket for detector or first audio frequency tube.....	155	Transformer — Second audio frequency transformer.....
191	Socket—4 Contact socket for output Radiotron tubes.....	170	Strip—Cable terminal strip.....
192	Socket—4 Contact socket for R. F. tubes...	171	Resistor—.56 ohms—wire wound.....
162	Cap—Tube contact cap.....	160	Binding post—Antenna-Ground binding post assembly.....
163	Volume Control.....	161	Jack—Speaker jack assembly.....
164	Switch—Operating switch.....		
174	Condenser—4 gang tuning condenser assembly.....		ADDITIONAL PARTS FOR R-10 No. 2
166	Shaft—Station selector drive shaft.....	176	Resistor—2 megohms—Carbon type.....
167	Dial—Station selector dial assembly.....	177	Resistor—50,000 ohms—Carbon type.....
156	Capacitor—Comprising two .5 mfd. sections.	178	Resistor—500,000 ohms—Carbon type.....
154	Transformer—First audio frequency transformer.....	159	Capacitor—Audio coupling capacitor .01 mfd.....
158	Capacitor—.0005 mfd.....		
157	Capacitor—.002 mfd.....		REPRODUCER PARTS
175	Coil—Radio frequency choke coil.....	181	Cone—Reproducer cone.....
150	Coil—Antenna coupling coil—complete...	182	Armature—Reproducer armature assembly.
152	Coil—First stage R. F. transformer coil—Complete.....	180	Coils—Actuating coils (Pair).....
151	Coil—Second stage R. F. transformer coil—Complete.....	183	Support—Reproducer armature support....
153	Coil—Detector R. F. transformer coil—Complete.....	185	Screws—Armature centering screws—.....
		184	Pin—Reproducer cone actuating pin.....