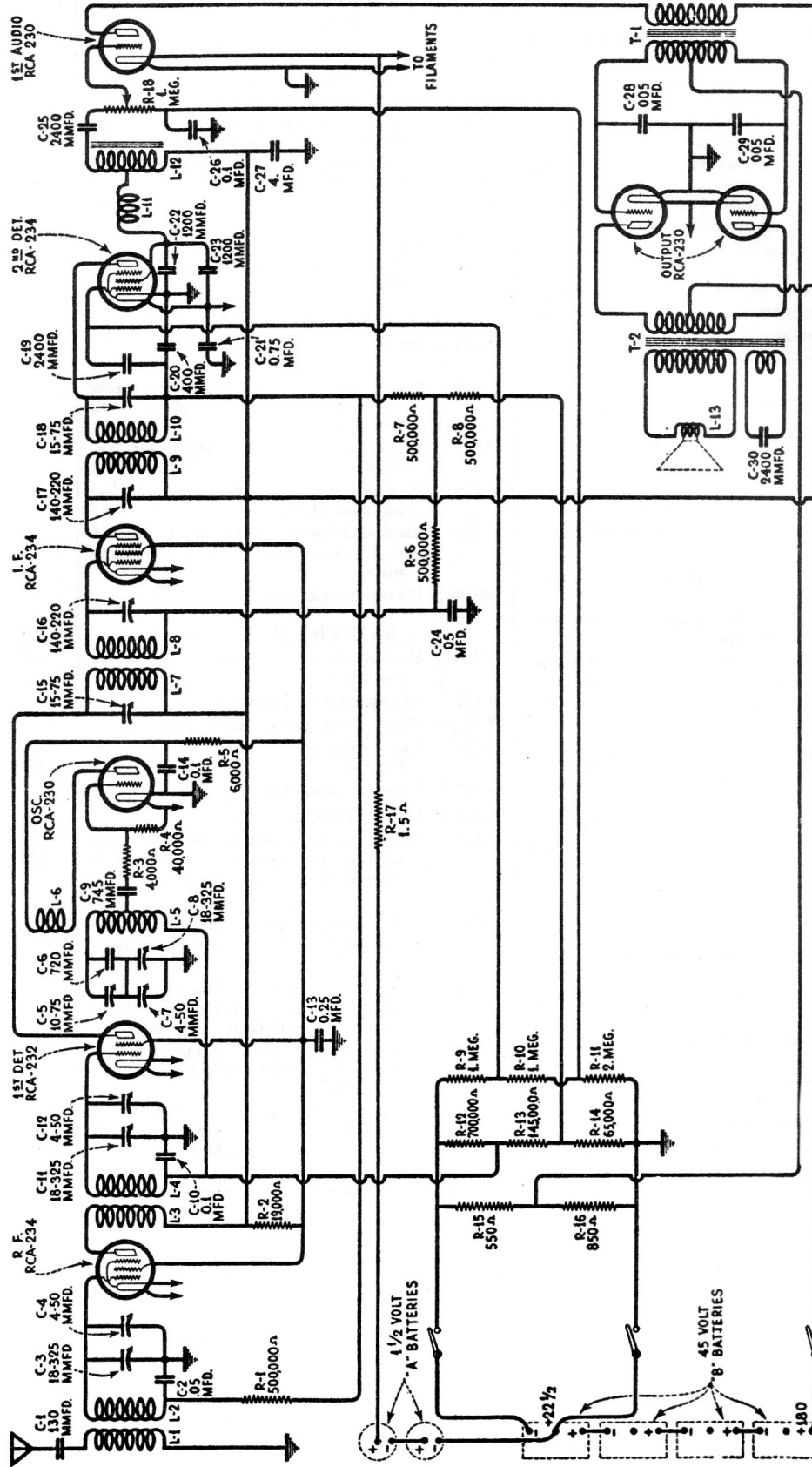


Model P-31 Portable Battery Receiver



ALIGNMENT PROCEDURE

| | |
|------------------------|---------------------|
| R.F. & Det. Stages | 1400 K.C. |
| Oscillator Stage | 600 K.C., 1400 K.C. |
| Intermediate Frequency | 175 K.C. |

Align all stages for maximum peak.