

Model K-473



RCA VICTOR



PORTABLE RECORD PLAYER

MODELS

K-471

K-473

— 1959 No. 8 —

ISSUED BY
SERVICE DIVISION
RCA VICTOR COMPANY, LTD.
MONTREAL, CANADA

ELECTRICAL AND MECHANICAL SPECIFICATIONS

TUBE COMPLEMENT

V-1 RCA 25L6GT Audio Output

POWER SUPPLY RATING

115 volts, 60 cycles AC 50 watts

LOUDSPEAKER

Size and type 4" PM

Voice Coil Impedance 3.2 ohms at 400 cycles

POWER OUTPUT

Undistorted 1.0 watts, Maximum 1.3 watts

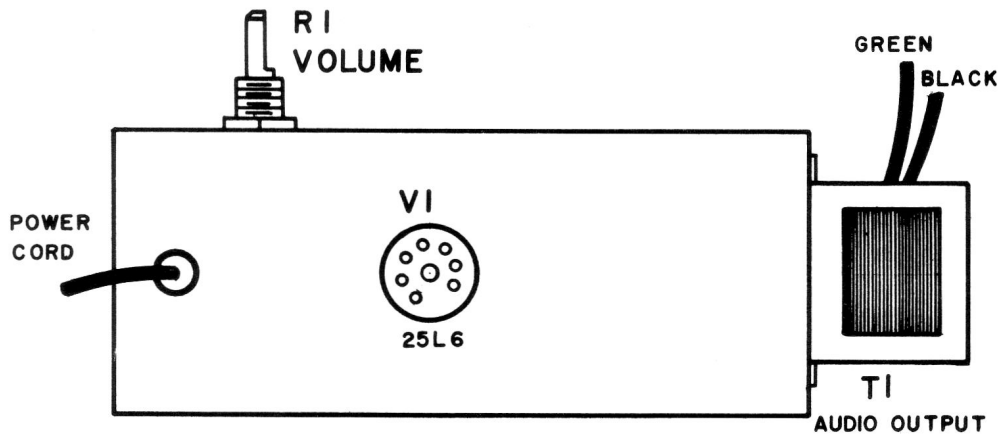
RECORD PLAYER ALLIANCE

Turntable Speed 16-2/3, 33-1/3, 45 and 78 RPM

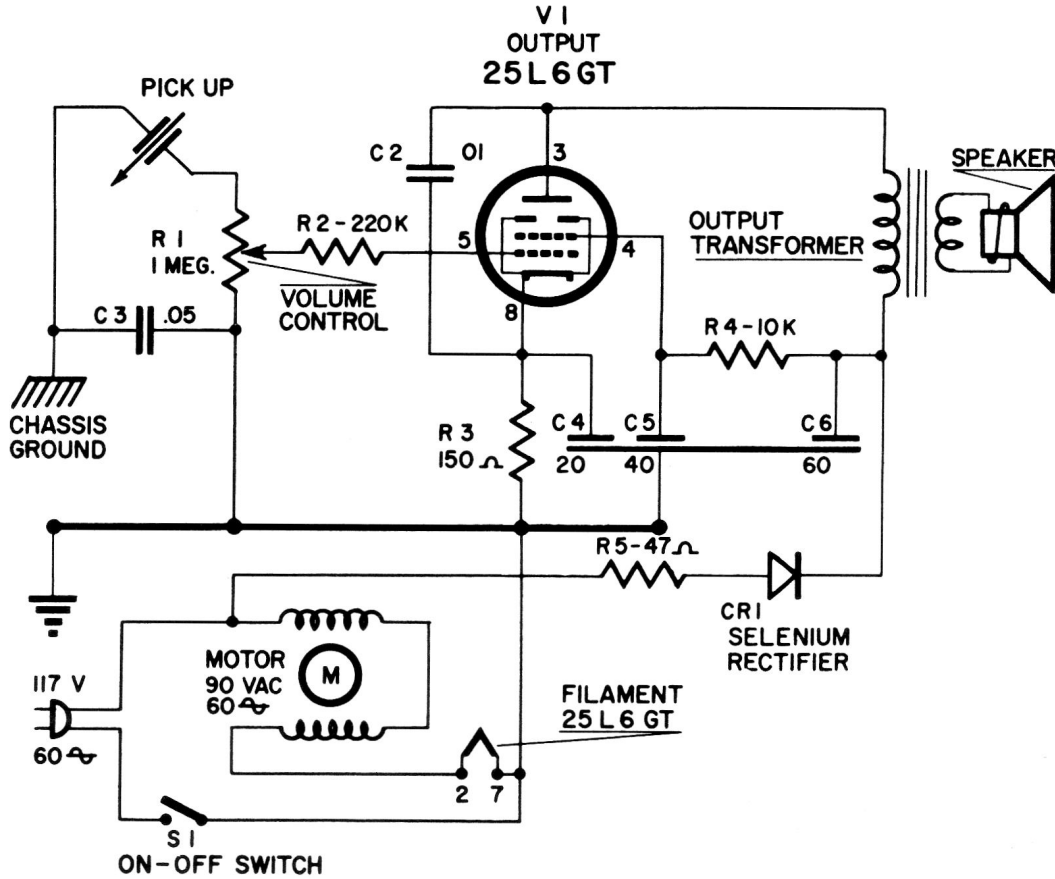
Pickup (Crystal) S-23420

Stylus 16-2/3, 33-1/3, 45 S-23427

Stylus 78 RPM S-23428



Chassis Layout



SCHMATIC DIAGRAM FOR MODELS K-471, K-473

REPLACEMENT PARTS LIST

Insist on Genuine Factory Tested Parts, which are readily identified and may be purchased from Authorized Dealers.

SYMBOL	STOCK NO.	DESCRIPTION	DESCRIPTION	STOCK NO.	MODELS	
					K-471	K-473
		CHASSIS ASSEMBLY	Arm-Tone arm	*S-23411	*	*
			Case-Brown	*S-23412	*	
			Case-Blue	*S-23413	*	
			Case-Grey	*S-23414	*	
			Case-Green	*S-23415	*	
			Case-Red	*S-23416	*	
			Case-Green	*S-23417	*	
			Case-Grey	*S-23418	*	
			Case-Brown	*S-23419	*	
			Catch-Cover	S-22357	*	*
			Cartridge	*S-23420	*	*
			Disc-45RPM	*S-23421	*	*
			Handle-White	*S-23422	*	*
			Hinges-Cover hinges	S-22368	*	*
			Knob-Control knob-clear	S-22370	*	*
			Knob-Crystal turnover	*S-23423	*	*
			Knob-Speed selector	*S-23424	*	*
			Motor-90 volt-60 cycle	*S-23425	*	*
			Posts-Handle posts	S-22373	*	*
			Speaker-4" PM	S-20698	*	*
			Spring-Arm-Tension	*S-23426	*	*
			Stylus 45 - 33-1/3, 45 RPM	*S-23427	*	*
			Stylus - 78 RPM	*S-23428	*	*
			Support - Tone arm	*S-23429	*	*
			Turntable	*S-23430	*	*
			Washer - Turntable "C"	*S-23431	*	*
			Wheel - Idler wheel	*S-23432	*	*
			Manual - Instruction	*S-23433	*	*
C-1		Capacitor				
C-2		Capacitor-.01 mfd. 10% 400V				
C-3		Capacitor-.05 mfd. 10% 600V				
C-4	S-20435	Capacitor-Electrolytic-20 mfd.				
C-5		Capacitor-Electrolytic-40 mfd, 150V				
C-6		Capacitor-Electrolytic-60 mfd.				
R-1	S-20433	Resistor-Volume Control-1 megohm Sw.				
R-2		Resistor-220,000 ohms 10% 1/2W				
R-3		Resistor-150 ohms 10% 1/2W				
R-4		Resistor-10,000 ohms 10% 1/2W				
R-5		Resistor-47 ohms 20% 1/2W				
CR-1	S-22192	Rectifier-Selenium rectifier-80 MA.				
T-1	S-20699	Transformer-Output transformer				

* Indicates new stock items. Only items listed under stock numbers are available as Replacement Parts. All parts subject to change or withdrawal without notice.