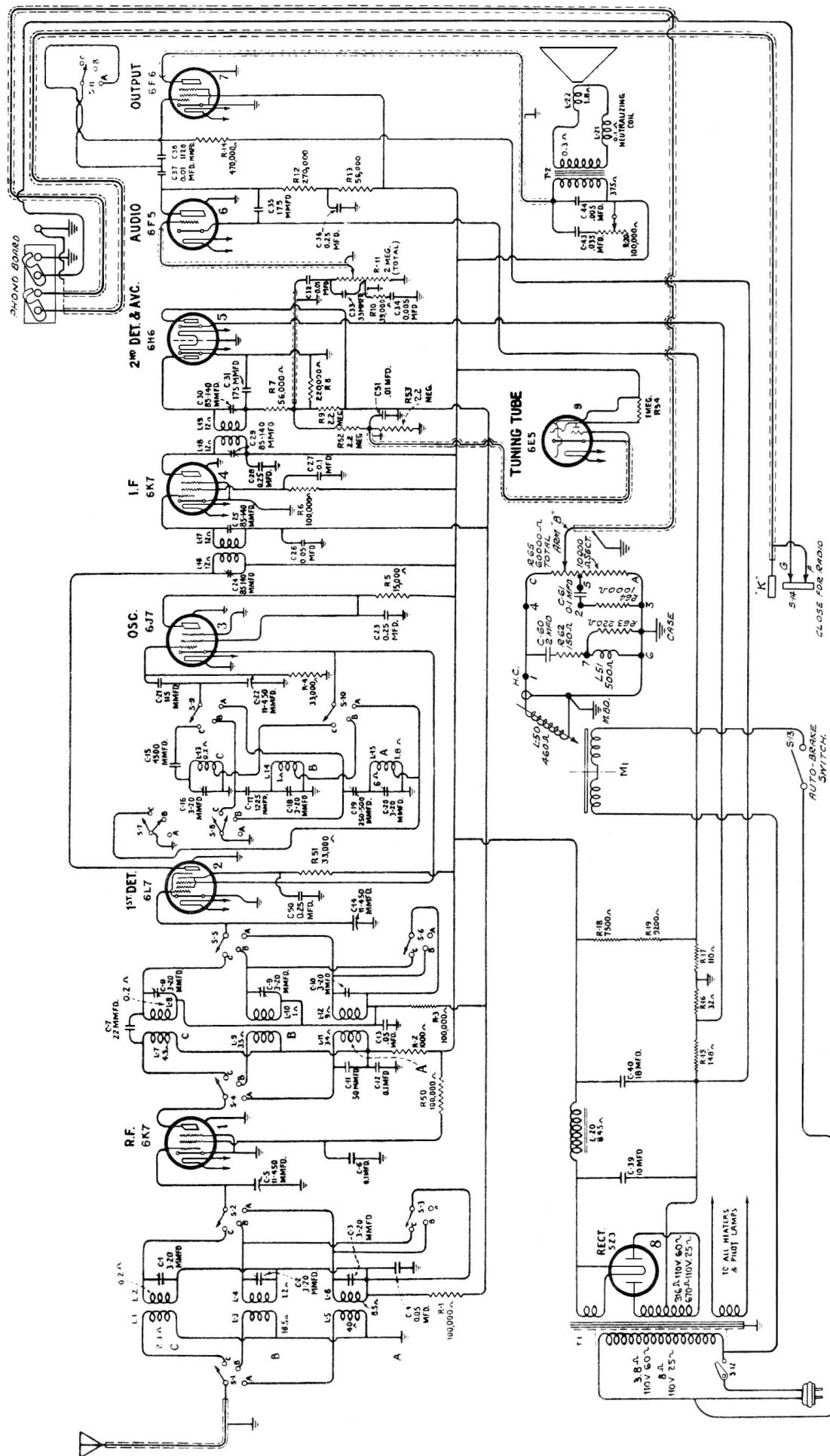


Model D8-1 A.C. Receiver



ALIGNMENT PROCEDURE

R.F. & Det. (A) 1700 K.C.
 R.F. & Det. (B) 6,000 K.C.
 R.F. & Det. (C) 18,000 K.C.
 Oscillator (A) 600 K.C., 1,700 K.C.
 Oscillator (B) 6,000 K.C.
 Oscillator (C) 18,000 K.C.
 Intermediate Frequency 460 K.C.

Align all stages for maximum peak.