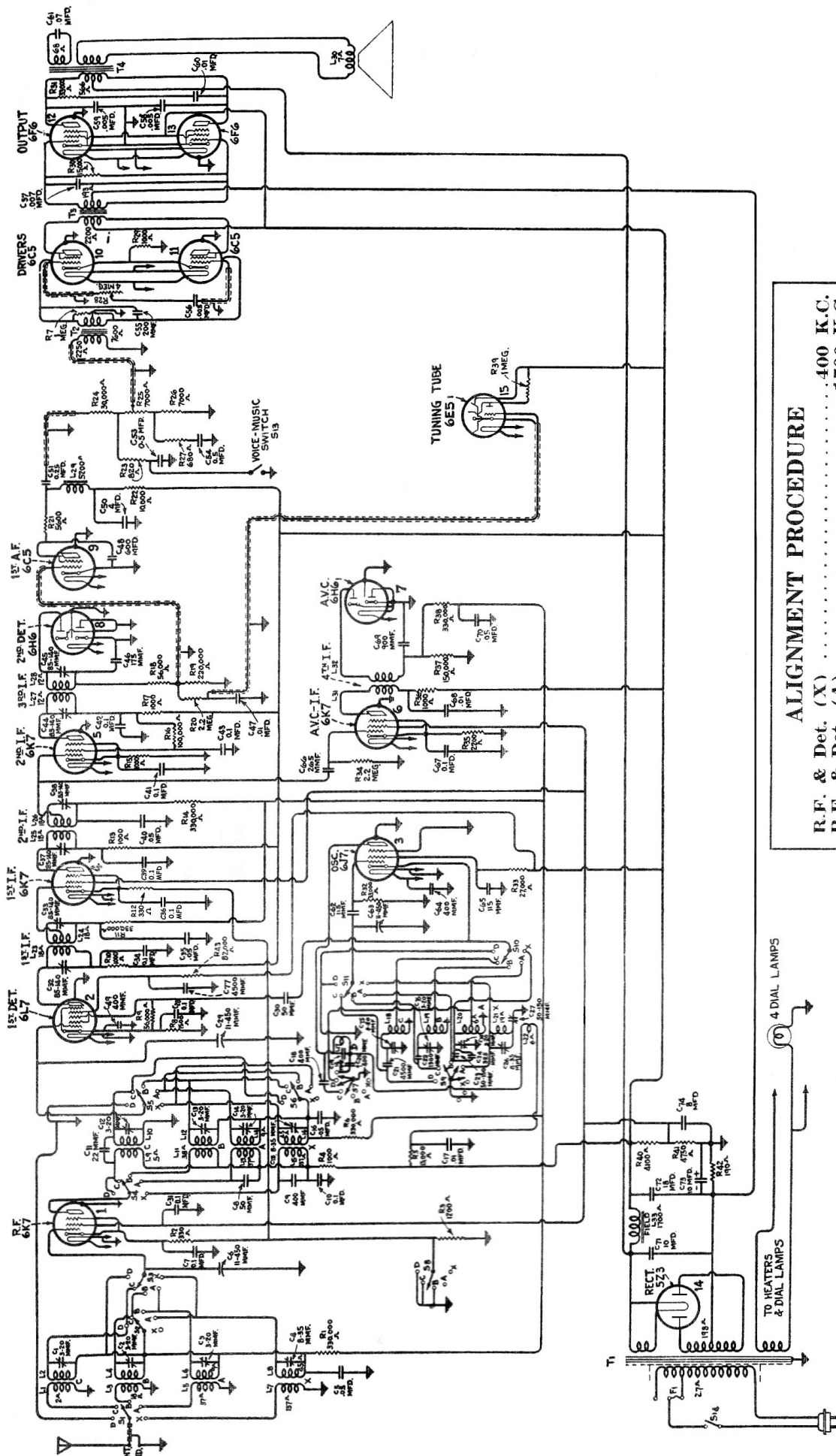


Model C14-1 A.C. Receiver



ALIGNMENT PROCEDURE

R.F. & Det. (X)	400 K.C.
R.F. & Det. (A)	1700 K.C.
R.F. & Det. (B)	6,000 K.C.
R.F. & Det. (C)	18,000 K.C.
Oscillator (X)	400 K.C.
Oscillator (A)	600 K.C., 1700 K.C.
Oscillator (B)	6,000 K.C.
Oscillator (C)	18,000 K.C.
Intermediate Frequency	460 K.C.

Peak all R.F. stages.
Align I.F. stages by means of oscillograph.

RCA C14-1 SAME AS RCA C15-3 & CGE A-148