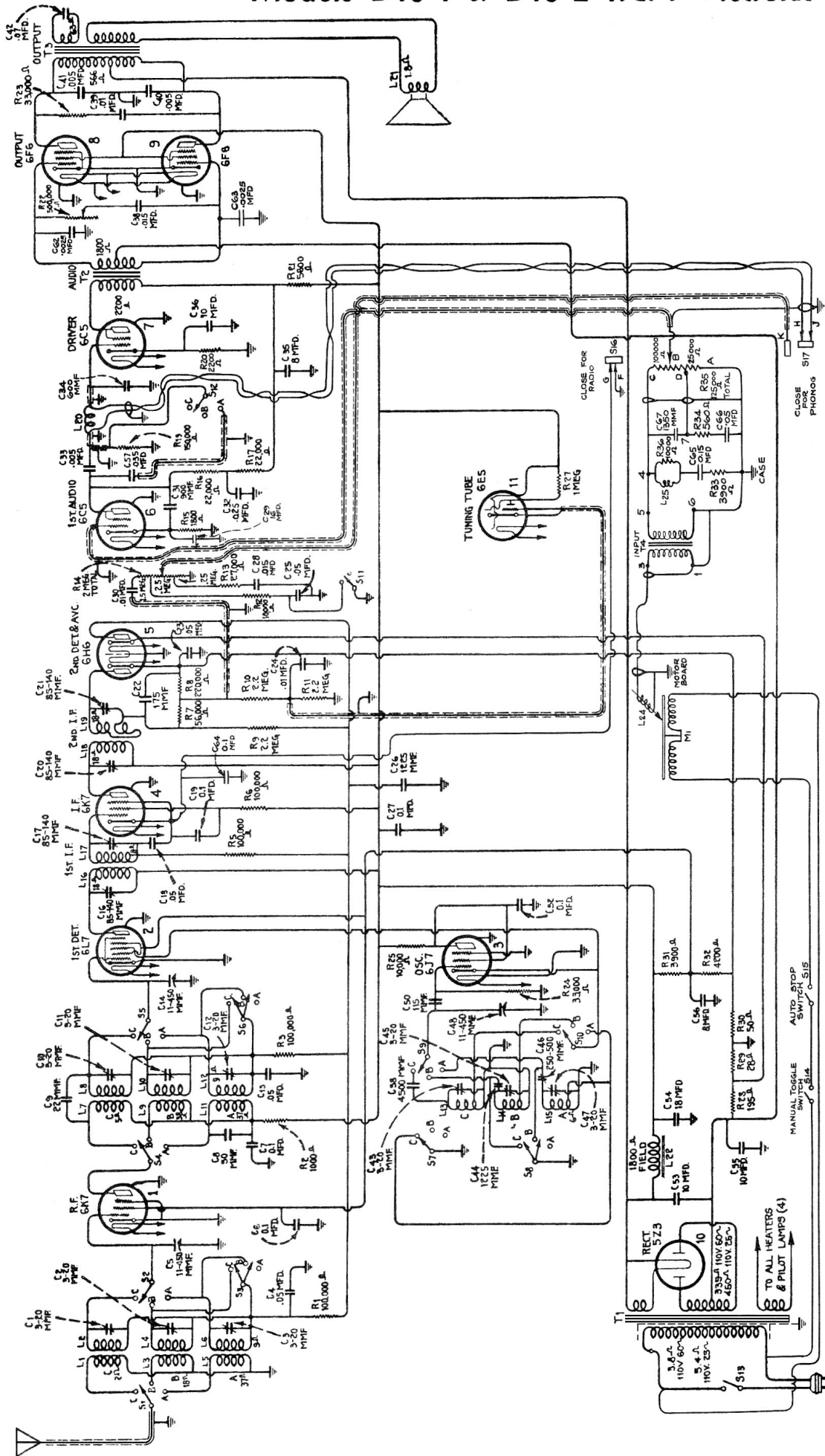


Models C10-1 & C10-2 A.C. Receivers Models D10-1 & D10-2 RCA Victrolas



ALIGNMENT PROCEDURE

- R.F. & Det. (A)1700 K.C.
 - R.F. & Det. (B)6,000 K.C.
 - R.F. & Det. (C)18,000 K.C.
 - Oscillator (A)600 K.C., 1,700 K.C.
 - Oscillator (B)6,000 K.C.
 - Oscillator (C)18,000 K.C.
 - Intermediate Frequency460 K.C.
- Align all stages for maximum peak.

(On some instruments—C-33 is .035 mfd. and C-57 is removed.)