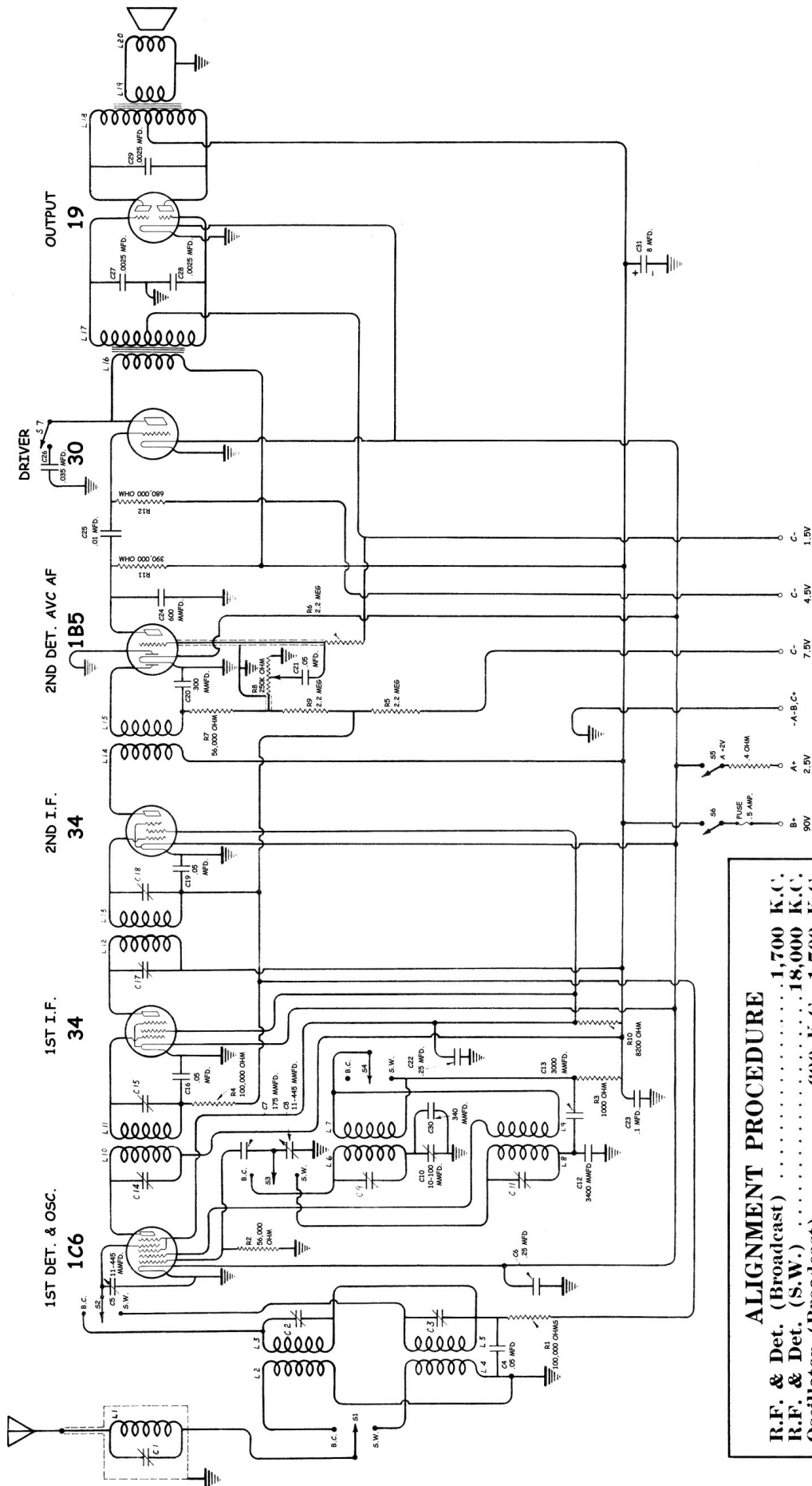


# Models BT6-1, & BC6-1 Battery Receivers



## ALIGNMENT PROCEDURE

- R.F. & Det. (Broadcast) .....1,700 K.C.
  - R.F. & Det. (S.W.) .....18,000 K.C.
  - Oscillator (Broadcast) .....600 K.C., 1,700 K.C.
  - Oscillator (S.W.) .....18,000 K.C.
  - Intermediate Frequency .....460 K.C.
- Align all R.F. stages for maximum peak.  
Align I.F. stages by means of oscillograph.