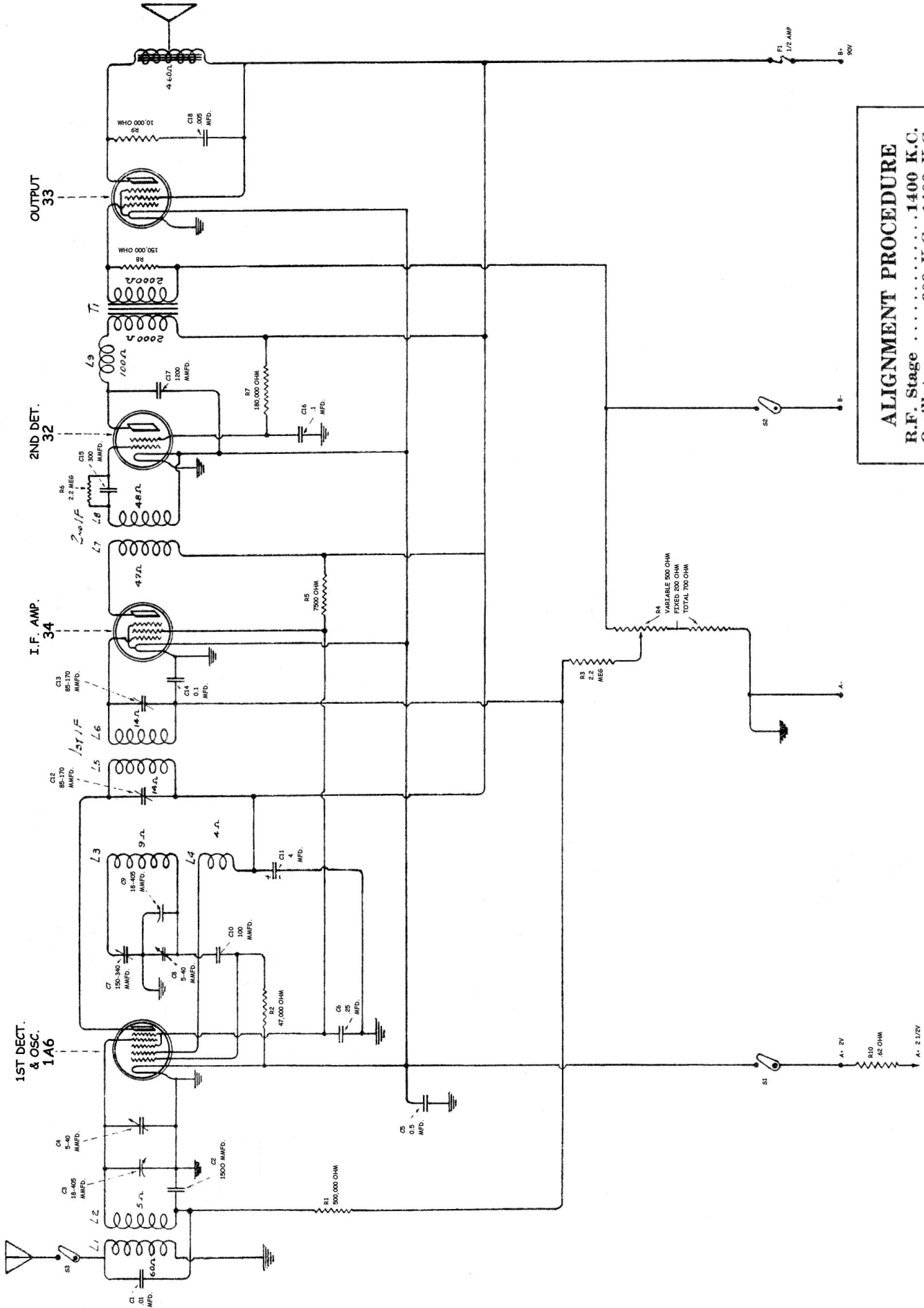


Models BT4-1, BT4-2, BC4-1 & BC4-2, Battery Receiver



ALIGNMENT PROCEDURE
 R.F. Stage1400 K.C.
 Oscillator600 K.C., 1400 K.C.
 Intermediate Frequency...460 K.C.
 Adjust all stages for max. peak