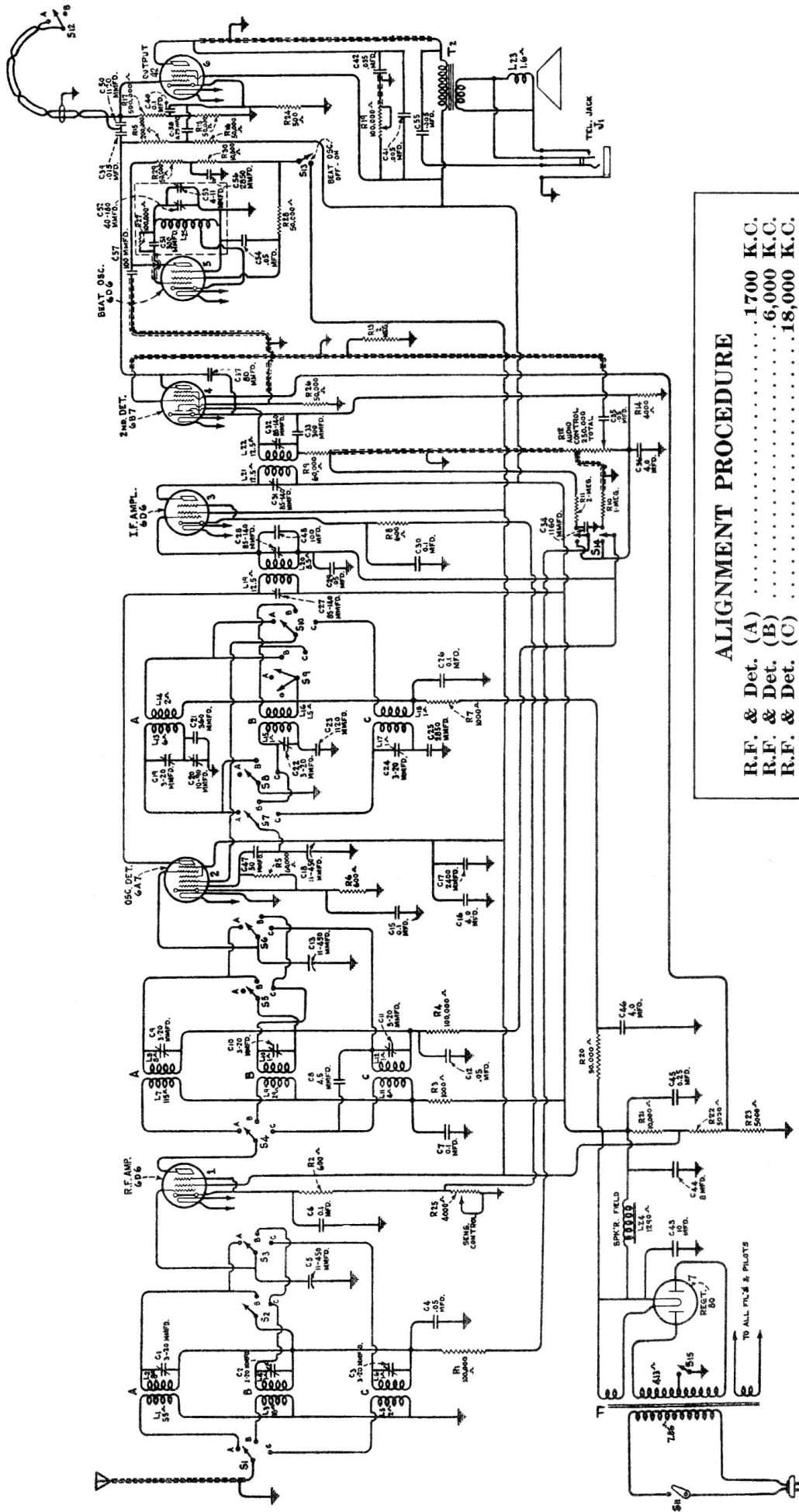


# Model ACR-136 A.C. Amateur Receiver



**ALIGNMENT PROCEDURE**

R.F. & Det. (A)	1700 K.C.
R.F. & Det. (B)	6,000 K.C.
R.F. & Det. (C)	18,000 K.C.
Oscillator (A)	600 K.C., 1,700 K.C.
Oscillator (B)	6,000 K.C.
Oscillator (C)	18,000 K.C.
Intermediate Frequency	460 K.C.

Align all stages for maximum peak.