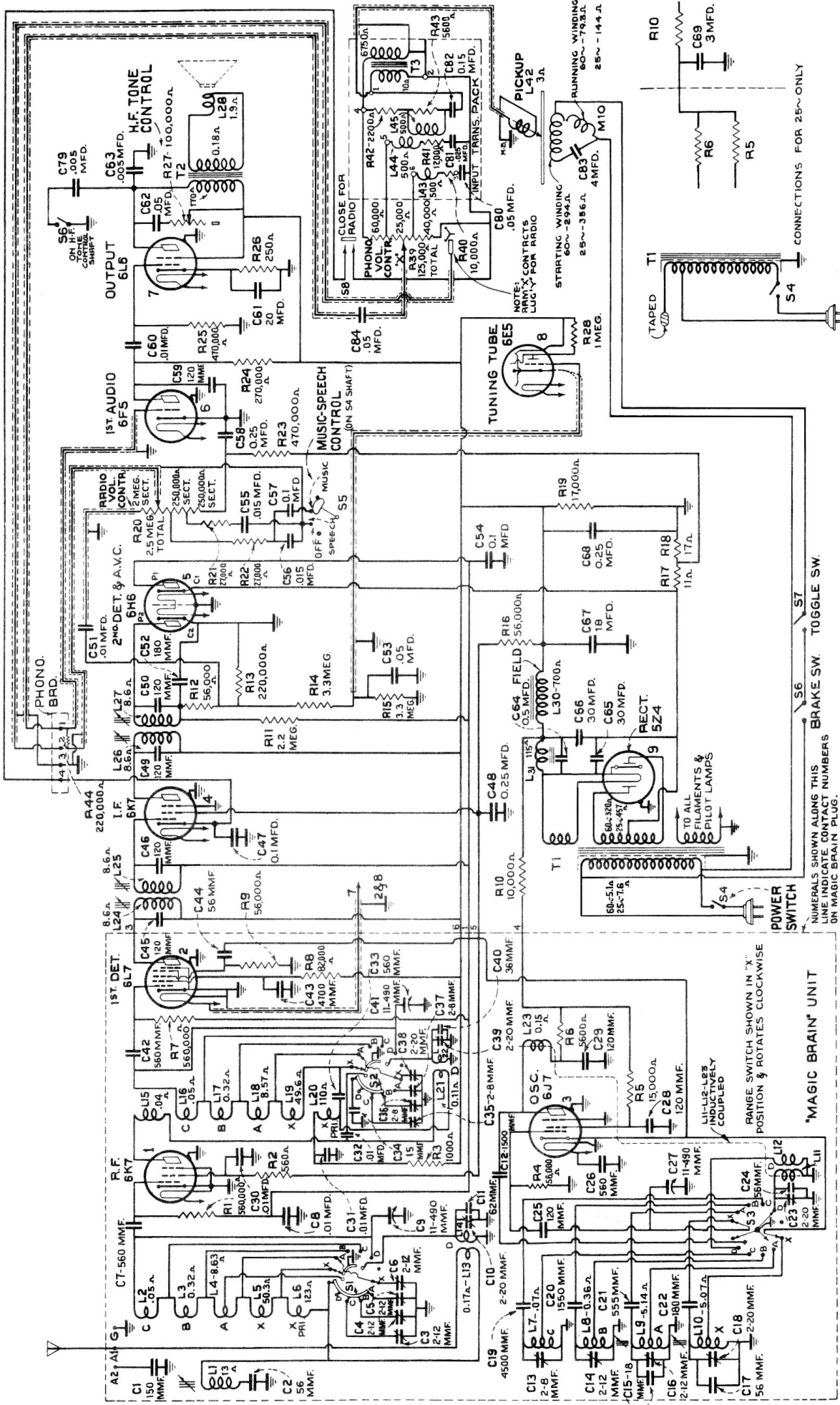


Models 9U & 9U-2 RCA Victorlas



NUMERALS SHOWN ALONG THIS LINE INDICATE CONTACT NUMBERS ON "MAGIC BRAIN" PLUG.

ALIGNMENT PROCEDURE

R.F. & Det. (X)	400 K.C.
R.F. & Det. (A)	1700 K.C.
R.F. & Det. (B)	6,000 K.C.
R.F. & Det. (C)	18,000 K.C.
Oscillator (X)	400 K.C.
Oscillator (A)	600 K.C.
Oscillator (B)	1700 K.C.
Oscillator (C)	18,000 K.C.
Intermediate Frequency	460 K.C.

Peak all R.F. stages.
Align I.F. stages by means of oscillograph.