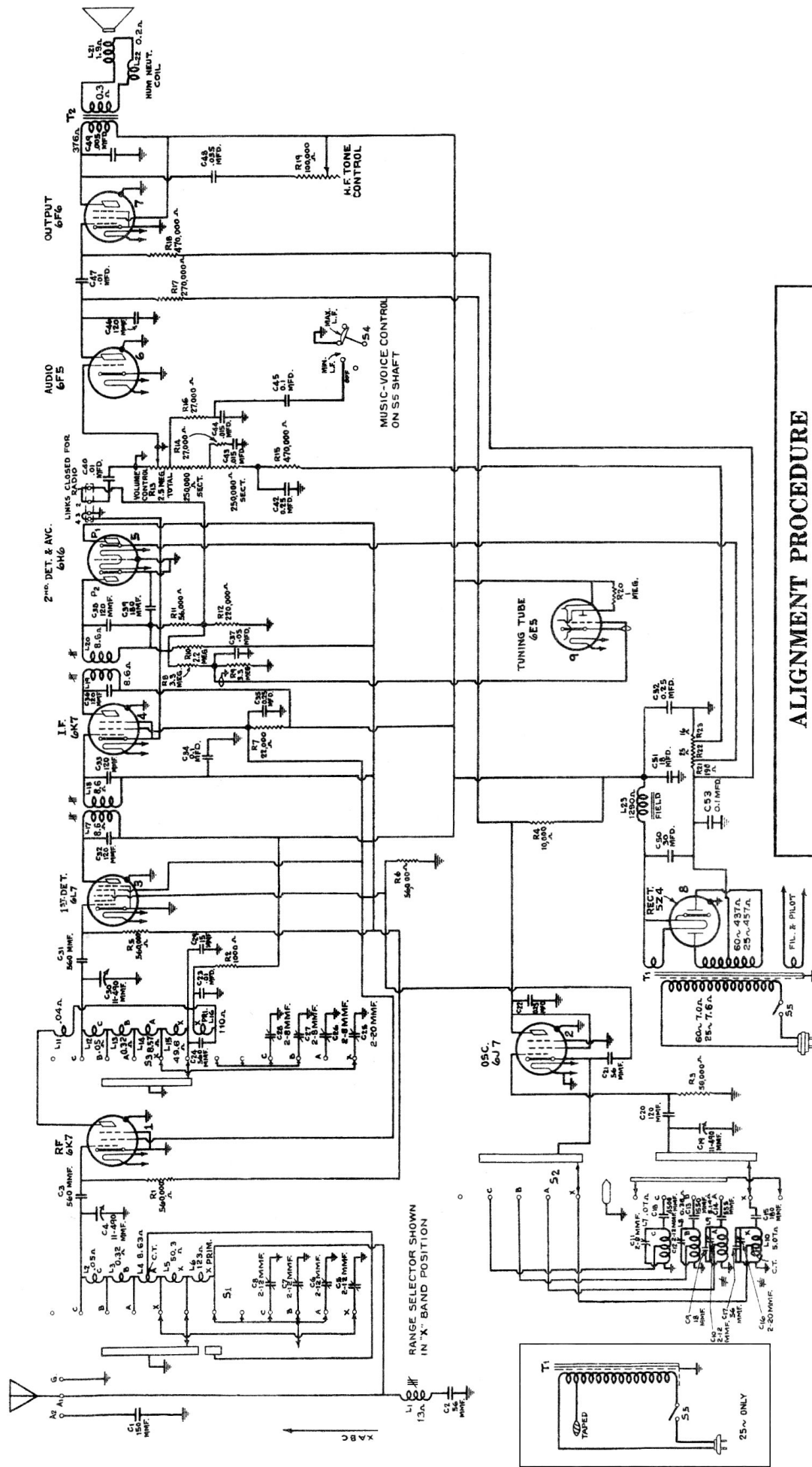


Models 9T-1 & 9K-1 A.C. Receivers



ALIGNMENT PROCEDURE

R.F. & Det. (X)	400 K.C.
R.F. & Det. (A)	1700 K.C.
R.F. & Det. (B)	6,000 K.C.
R.F. & Det. (C)	18,000 K.C.
Oscillator (X)	400 K.C.
Oscillator (A)	600 K.C., 1700 K.C.
Oscillator (B)	6,000 K.C.
Oscillator (C)	18,000 K.C.
Intermediate Frequency	460 K.C.

Align I.F. stages by means of oscillograph.