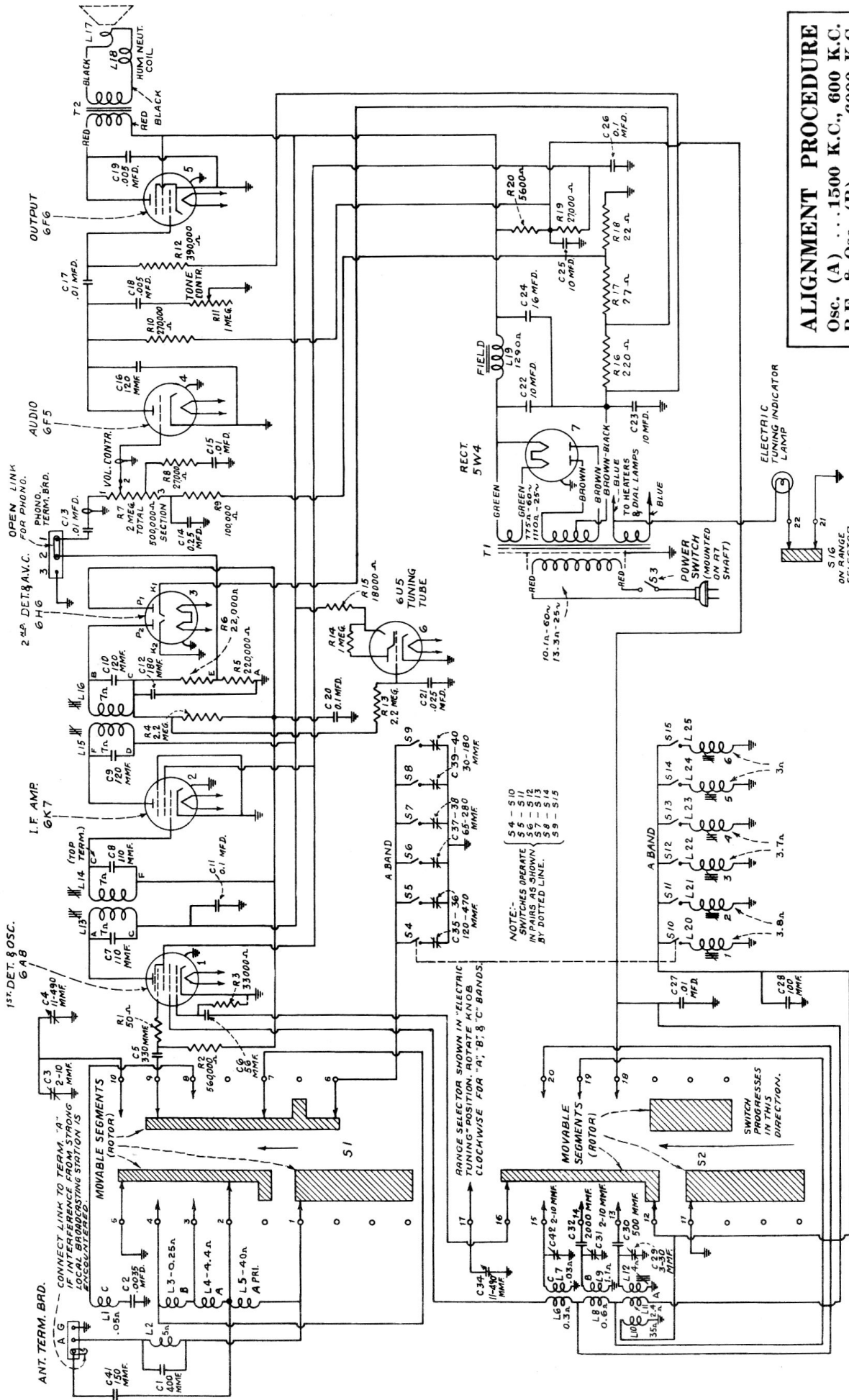


Models 97K & 97T A.C. Receivers



ALIGNMENT PROCEDURE
 Osc. (A) ...1500 K.C., 600 K.C.
 R.F. & Osc. (B) ...6000 K.C.
 Osc. (C) ...20,000 K.C.
 I.F.460 K.C.
 Peak all stages