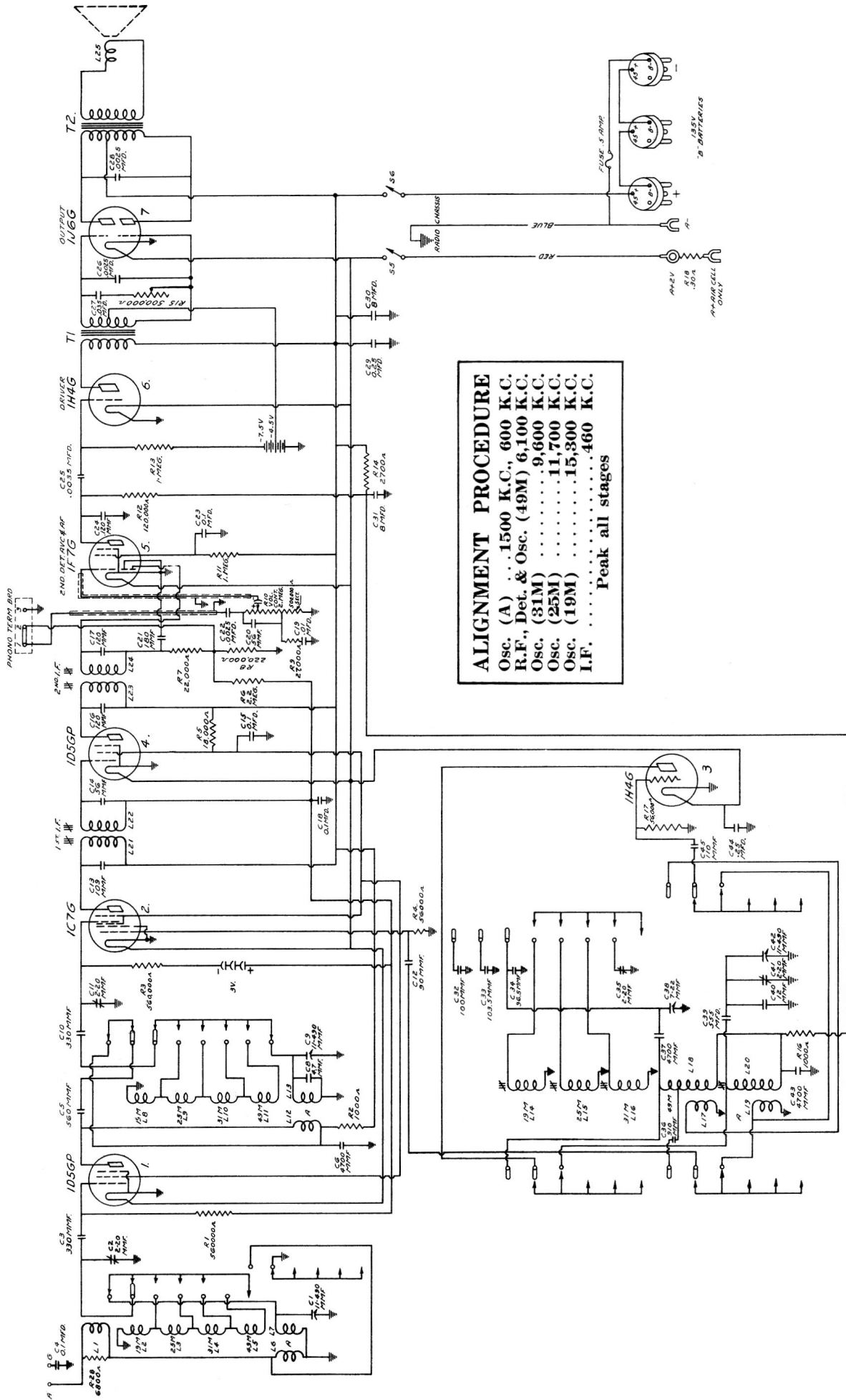


Model 97BK Battery Receiver



Schematic Circuit Diagram Model 97BK