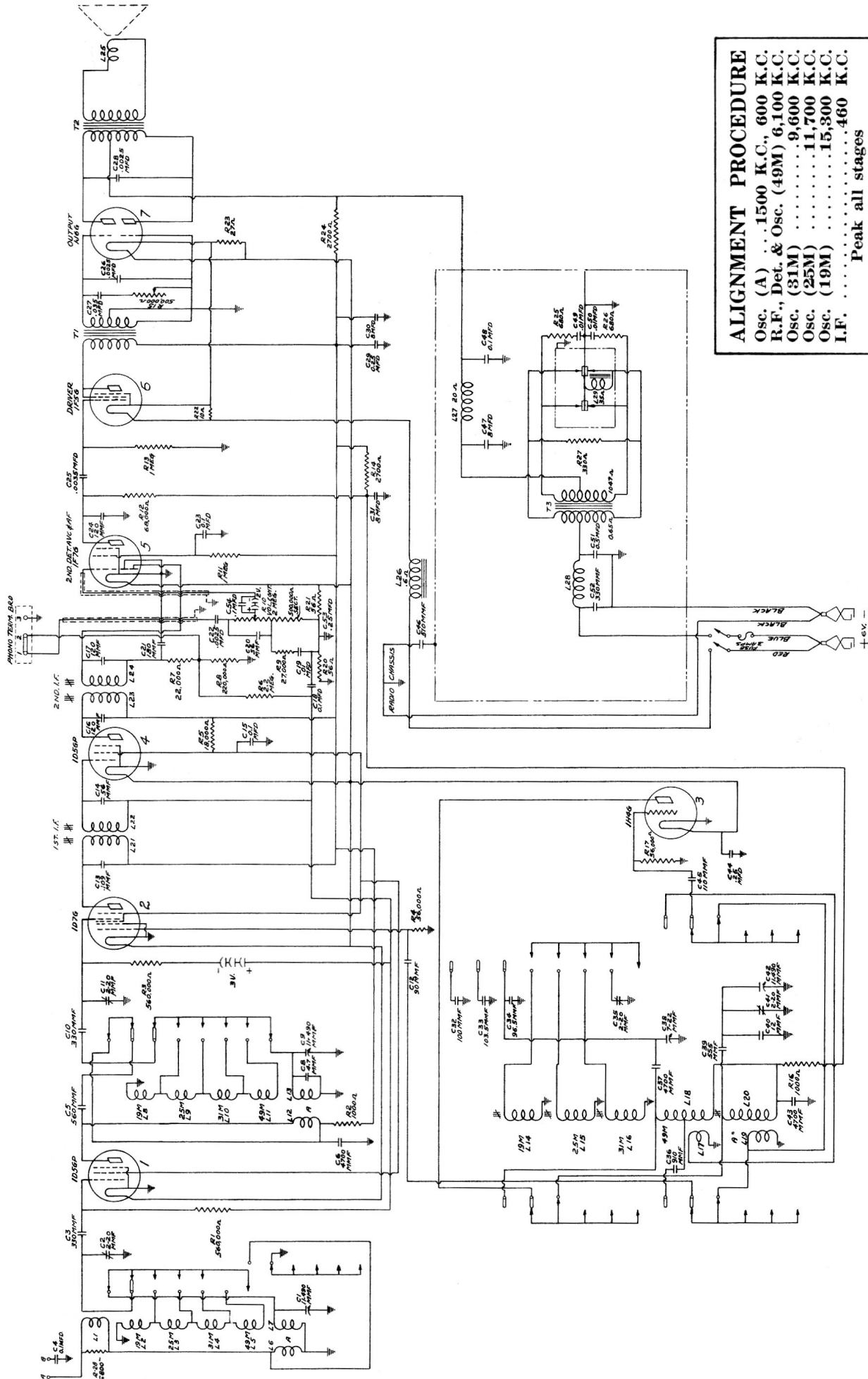


Model 97BK-6 Battery Receiver



ALIGNMENT PROCEDURE
 Osc. (A) ... 1500 K.C., 600 K.C.
 R.F., Det. & Osc. (49M) 6,100 K.C.
 Osc. (31M) ... 9,600 K.C.
 Osc. (25M) ... 11,700 K.C.
 Osc. (19M) ... 15,300 K.C.
 I.F. ... 460 K.C.
 Peak all stages

Schematic Circuit Diagram (Model 97BK6)