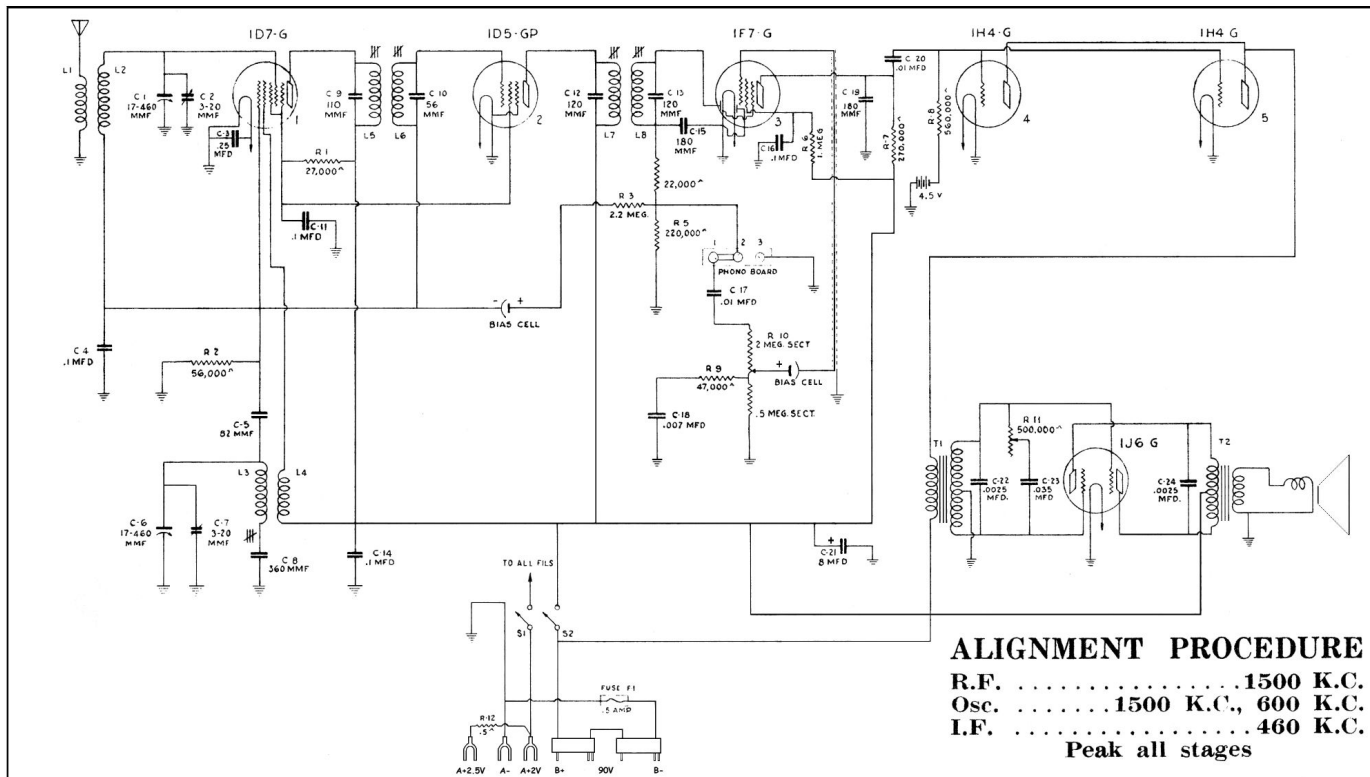


# Model 96BT Battery Receiver



## REPLACEMENT PARTS MODEL 96BT

Insist on genuine factory tested parts, which are readily identified and may be purchased from authorized dealers.

STOCK NO.	DESCRIPTION	STOCK NO.	DESCRIPTION
<b>RECEIVER ASSEMBLIES</b>			
12717	Board-Phonograph terminal board.....	S-1844	Knob-Tone control and operating switch knob -
S-2103	Cable-3 conductor battery cable approximately 60" long, complete with flexible resistor, fuse, fuse connector and two battery plugs.....	S-1862	Knob-Volume control or Tuning Shaft knobs -
12607	Cap-First I.F. transformer shield cap...	12827	Plug-"B" Battery cable plug.....
12581	Cap-Second I.F. transformer shield cap..	11341	Plug-"C" Battery plug.....
11350	Cap-Grid contact cap -	S-2115	Resistor-0.50 ohm flexible resistor complete with clip (R-12).....
13307	Capacitor-56 Mmfd. (C-10).....	14284	Resistor-22,000 ohms, carbon type, 1/10 watt (R-4).....
12813	Capacitor-82 Mmfd. (C-5).....	12738	Resistor-27,000 ohms, carbon type, 1/4 watt (R-1).....
14262	Capacitor-110 Mmfd. (C-9).....	23432	Resistor-47,000 ohms, carbon type, 1/4 watt (R-9).....
12404	Capacitor-120 Mmfd. (C-12, C-13).....	5029	Resistor-56,000 ohms, carbon type, 1/4 watt (R-2).....
14712	Capacitor-180 Mmfd. (C-15).....	11398	Resistor-220,000 ohms, carbon type, 1/10 watt (R-5).....
13003	Capacitor-180 Mmfd. (C-19).....	11323	Resistor-270,000 ohms, carbon type, 1/4 watt (R-7).....
13967	Capacitor-360 Mmfd. (C-8).....	5035	Resistor-560,000 ohms, carbon type, 1/4 watt (R-8).....
3932	Capacitor-.0025 Mfd. (C-22, C-24).....	13730	Resistor-1 Megohm, carbon type, 1/4 watt (R-6)
5148	Capacitor-.007 Mfd. (C-18).....	11626	Resistor-2.2 Megohm, carbon type, 1/4 watt (R-3).....
14393	Capacitor-.01 Mfd. (C-17, C-20).....	14887	Retainer-Vernier Tuning shaft retainer-
5196	Capacitor-.035 Mfd. (C-23).....	S-2118	Shaft-Vernier Tuning Shaft.....
4839	Capacitor-0.1 Mfd. (C-4, C-11, C-14, C-16).	11196	Socket-Radiotron socket.....
12484	Capacitor-0.25 Mfd. (C-3).....	S-2039	Shield-1D5GP, 1F7G or 1D7G radiotron shield.....
S-2028	Capacitor-8 Mfd. (C-21).....	S-2119	Spring-Tuning condenser drive cord spring -
12681	Cell-Bias cell.....	S-2112	Tone control and operating switch (R-11, S1, S2).....
S-2064	Clip-Radiotron shield grounding clip-	14261	Transformer-1st I.F. transformer (L5, L6, C-9, C-10).....
S-2029	Coil-Antenna coil (L1, L2).....	14283	Transformer-2nd I.F. transformer (L7, L8, C12, C13, C15, R-4, R5).....
S-2030	Coil-Oscillator coil (L3, L4).....	S-2113	Transformer-Audio transformer pack (T1, T2).....
S-2106	Condenser-2-gang variable tuning condenser (C1, C2, C6, C7).....	S-2114	Volume control (R-10).....
12006	Core-Adjustable core and stud for 1st or 2nd I.F. Transformer.....	<b>REPRODUCER ASSEMBLIES</b>	
S-2107	Cord-Tuning drive cord -	S-2044	Cap-Dust cap for reproducer cone-
S-2108	Dial Station selector dial scale assembly.....	S-2020	Cone-Reproducer cone.....
S-2120	Drum-Tuning condenser drum.....	S-2045	Reproducer-Reproducer complete.....
S-2104	Escutcheon-Station selector escutcheon and crystal.....		
11982	Fastener-Station selector dial scale fastener		
3748	Fuse - 1/2 ampere fuse.....		
6516	Fuse connector complete.....		
S-2110	Indicator-Station selector indicator pointer.....		
S-1838	Holder-Bias cell holder.....		