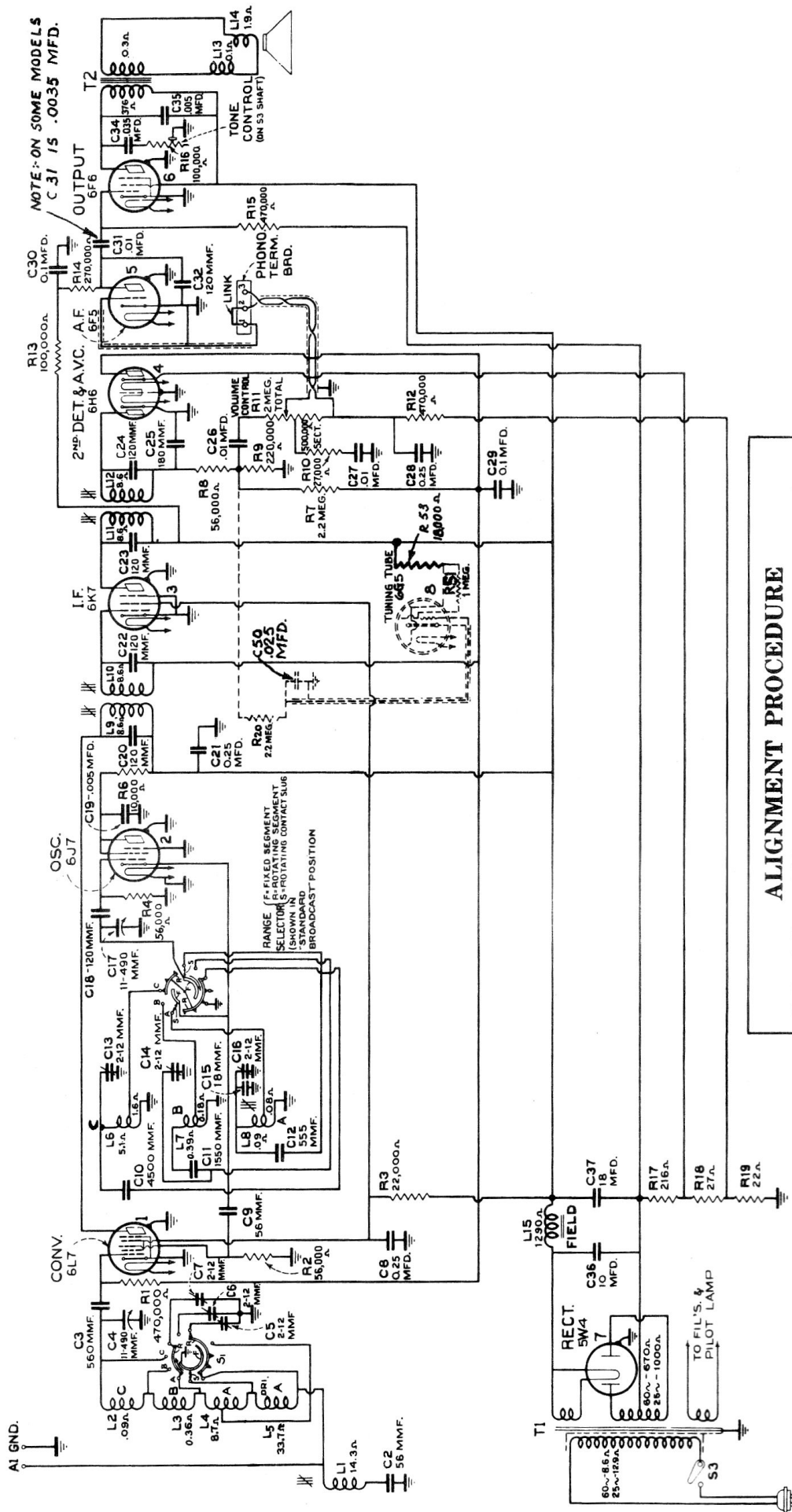


Model 88T A.C. Receiver



ALIGNMENT PROCEDURE

R.F. & Det. (A)1700 K.C.
R.F. & Det. (B)6,000 K.C.
R.F. & Det. (C)18,000 K.C.
Oscillator (A)600 K.C., 1,700 K.C.
Oscillator (B)6,000 K.C.
Intermediate Frequency18,000 K.C.

Align all stages for maximum peak.