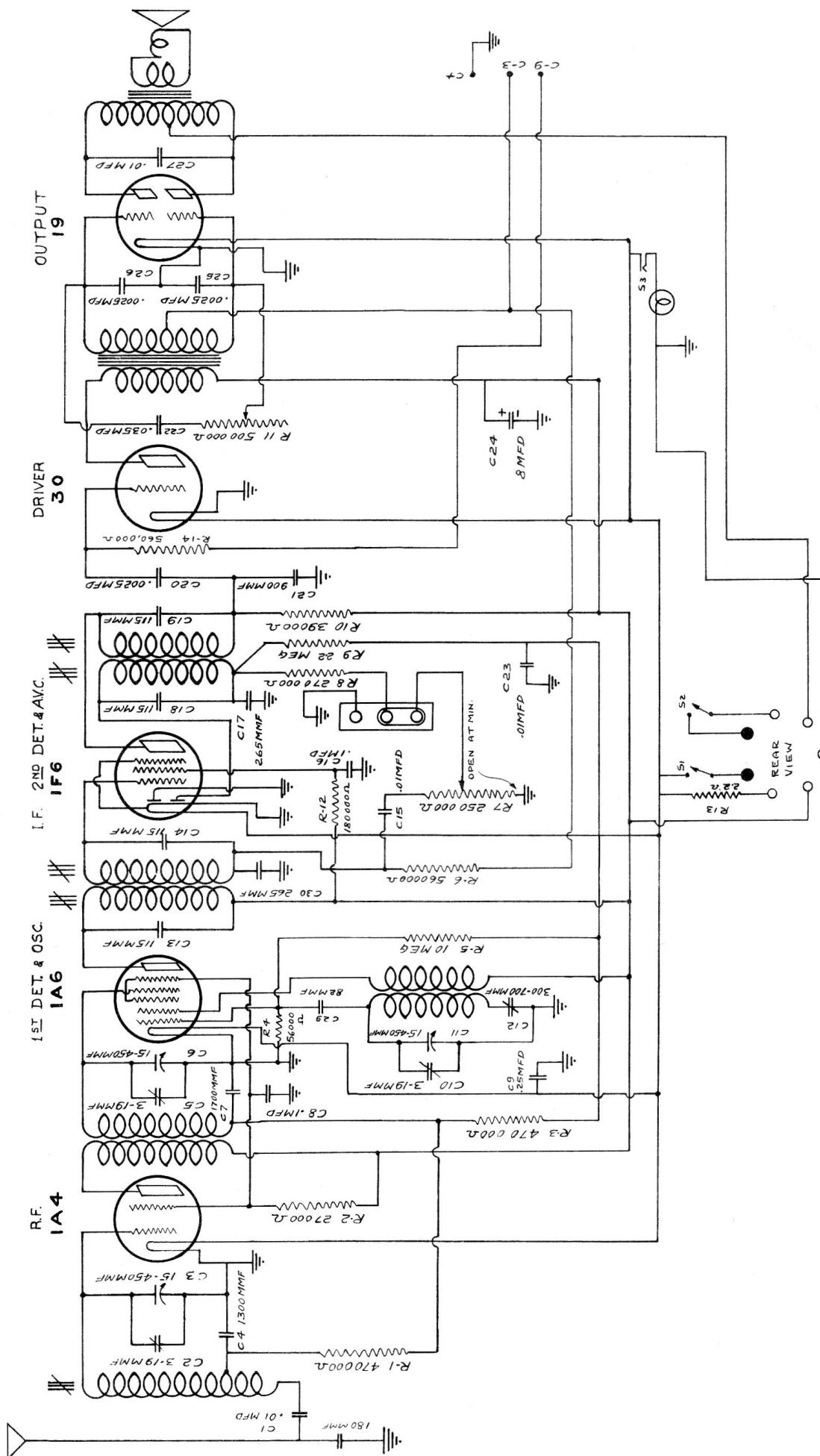


# Models 85BK-1 & 85BT-1 Battery Receivers



## ALIGNMENT PROCEDURE

Order of Alignment	Test Oscillator		Receiver Dial Setting	Circuit to Adjust	Adjustment Symbols	Adjust to Obtain
	Connection to Receiver	Dummy Antenna				
1	I-F Amp. Grid Cap	.001 Mfd.	No Signal 550-750 kc	2nd I-F Trans.	L9 and L-10	Max. (peak)
2	1st Det.-Osc. Grid Cap	.001 Mfd.	No Signal 550-750 kc	1st I-F Trans.	L7 and L8	Max. (peak)
3	Ant. Lead	200 Mmfd.	1,500 kc	"A" Osc.	C10	Max. (peak)
4	Ant. Lead	200 Mmfd.	1,500 kc	"A" Det.	C5	Max. (peak)
5	Ant. Lead	200 Mmfd.	1,500 kc	"A" Ant.	C2	Max. (peak)
6	Ant. Lead	200 Mmfd.	600 kc	"A" L.F. Osc.	C10	Max. (peak)